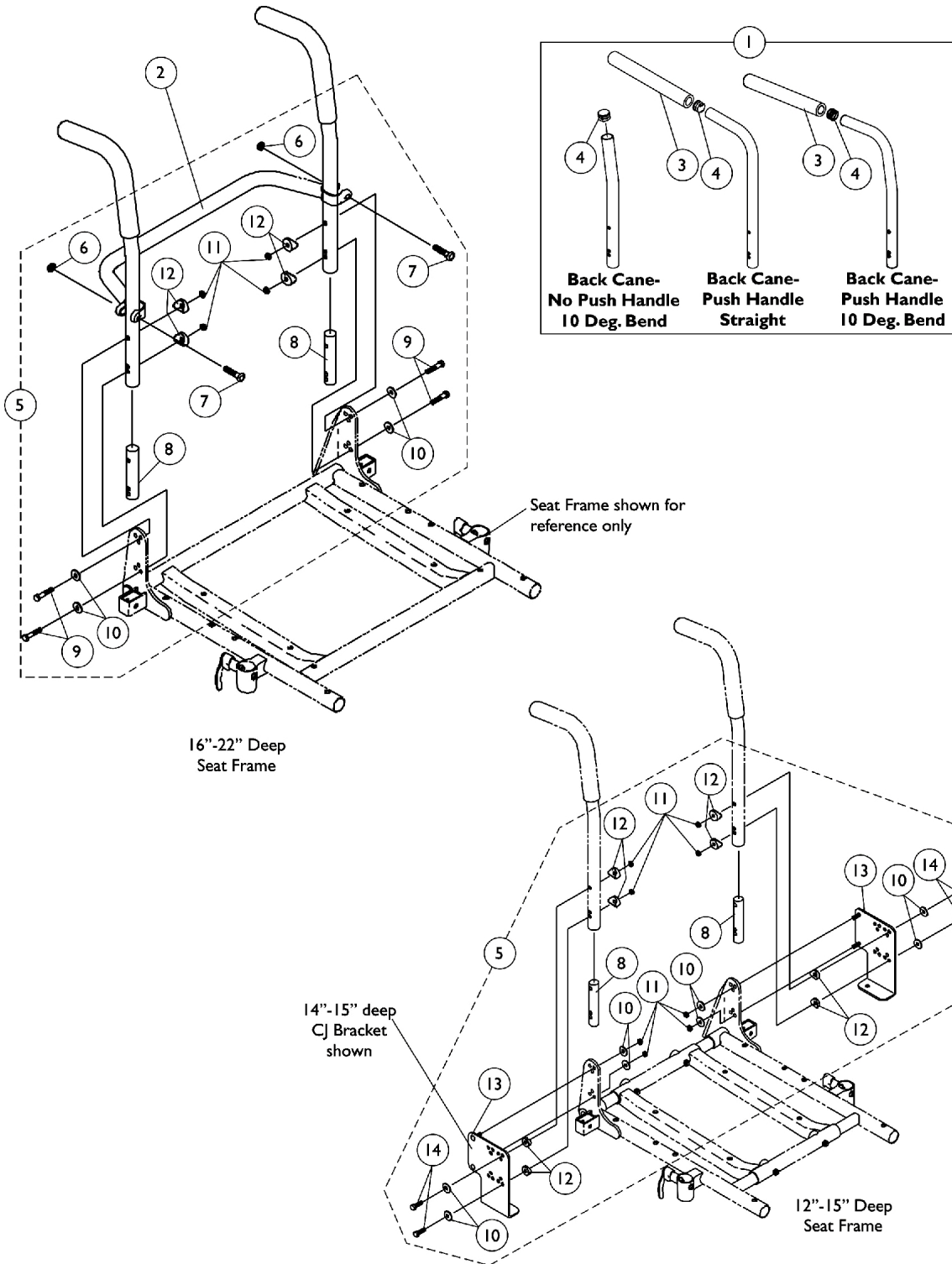


Back Canes, Spreader Bars and Attaching Hardware

For ASBA Seats (12"-24" Wide) (Before 7/5/05)

NOTE: Chairs manufactured with a seat width, seat depth or back height of 20" and greater including all heavy duty packages will be equipped with a spreader bar standard.



Back Canes, Spreader Bars and Attaching Hardware

For ASBA Seats (12"-24" Wide) (Before 7/5/05)

NOTE: Chairs manufactured with a seat width, seat depth or back height of 20" and greater including all heavy duty packages will be equipped with a spreader bar standard.

Item Number	Note	Part Number	Description	Quantity Per	
				Package	Assembly
1		See Chart	#1 Back Cane Assemblies	1	2
2		See Chart	#2 Spreader Bar	1	1
3		1135506	Package, Foam Hand Grip (9" L)	10	1
4		1134426	Package, Plug Button, Black (3/4")	10	1
5	A,E	1070499-NLA	NLA - Kit, Back Cane Attaching Hardware, For CJ Bracket 12-13" Deep Seat	2	1
8			Insert, Non-Threaded Back Cane (For Back Heights 20" and Lower)	1	2
10			Washer (1/4 x 23/32 x 1/16")	1	8
11			Locknut (1/4-20)	1	8
12			Spacer, Coved (1/4 x 11/16 x 1/2")	1	8
13			NLA - Bracket, Back Mounting, Black - Right	1	1
13			NLA - Bracket, Back Mounting, Black - Left	1	1
14			Screw, Hex Head (1/4-20 x 1-5/8")	1	4
5	A,E	1070500-NLA	Kit, Back Cane Attaching Hardware, For CJ Bracket 14-15" Deep Seat	2	1
8			Insert, Non-Threaded Back Cane (For Back Heights 20" and Lower)	1	2
10			Washer (1/4 x 23/32 x 1/16")	1	8
11			Locknut (1/4-20)	1	8
12			Spacer, Coved (1/4 x 11/16 x 1/2")	1	8
13			NLA - Bracket, Back Mounting, Black - Right	1	1
13			NLA - Bracket, Back Mounting, Black - Left	1	1
14			Screw, Hex Head (1/4-20 x 1-5/8")	1	4
5	B,C	1070457-NLA	NLA - Kit, Back Cane Attaching Hardware	2	1
6			Locknut (5/16-24)	1	2
7			Screw w/ Lug (5/16-24 x 1-3/8")	1	2
8			Insert, Non-Threaded Back Cane (For Back Heights 20" and Lower)	1	2
9			Screw, Hex Head (1/4-20 x 1-5/8")	1	4
10			Washer (1/4 x 23/32 x 1/16")	1	4
11			Locknut (1/4-20)	1	4
12			Spacer, Coved (1/4 x 11/16 x 1/2")	1	4
5	B,D	1070458-NLA	NLA - Kit, Back Cane Attaching Hardware	2	1
6			Locknut (5/16-24)	1	2
7			Screw w/ Lug (5/16-24 x 1-3/8")	1	2
8			NLA - Insert, Non-Threaded Back Cane (For Back Heights 21" and Higher)	1	2
9			Screw, Hex Head (1/4-20 x 1-5/8")	1	4
10			Washer (1/4 x 23/32 x 1/16")	1	4
11			Locknut (1/4-20)	1	4
12			Spacer, Coved (1/4 x 11/16 x 1/2")	1	4

Back Canes, Spreader Bars and Attaching Hardware For ASBA Seats (12"-24" Wide) (Before 7/5/05)

NOTE: Chairs manufactured with a seat width, seat depth or back height of 20" and greater including all heavy duty packages will be equipped with a spreader bar standard.

NOTE: A - Includes items 8 and 10-14
B - Includes items 6-12
C - Used for 12"-20" high back canes
D - Used for 21"-24" high back canes
E - Prior to 7/9/04 new back cane attaching hardware must be ordered for 12"-15" deep seats that use CJ brackets. The threaded insert was replaced with a non-threaded insert for 12"-20" high back canes.

Back Canes, Spreader Bars and Attaching Hardware For ASBA Seats (12"-24" Wide) (Before 7/5/05)

NOTE: Chairs manufactured with a seat width, seat depth or back height of 20" and greater including all heavy duty packages will be equipped with a spreader bar standard.

#1 Back Cane Assemblies

Back Height	Back Cane- No Push Handle 10 Deg. Bend	Back Cane- Push Handle Straight	Back Cane- Push Handle 10 Deg. Bend
12"	1045241-NLA	1045253-NLA	1049955-NLA
13"	1045242-NLA	1045254-NLA	1049956-NLA
14"	1045243-NLA	1045255-NLA	1049957-NLA
15"	1045244-NLA	1045256-NLA	1049958-NLA
16"	1048992-NLA	1048558	1045575
17"	1048993-NLA	1048559	1045576
18"	1048994-NLA	1048560	1045577
19"	1048995-NLA	1048561	1045578
20"	1048996-NLA	1048562	1045579-NLA
21"	N/A	N/A	1052227-NLA
22"	N/A	N/A	1052230
23"	N/A	N/A	1054521-NLA
24"	N/A	N/A	1054524-NLA

NOTE: Back Cane Assemblies include Foam Grips and Plug Buttons where shown

Back Canes, Spreader Bars and Attaching Hardware For ASBA Seats (12"-24" Wide) (Before 7/5/05)

NOTE: Chairs manufactured with a seat width, seat depth or back height of 20" and greater including all heavy duty packages will be equipped with a spreader bar standard.

#2 Spreader Bar

Chair Width	Part Number
14"	1043871-NLA
15"	1043872-NLA
16"	1043873
17"	1043874
18"	1043875
19"	1043876
20"	1043877
21"	1043878-NLA
22"	1043879-NLA
23"	1043880-NLA
24"	1043881-NLA