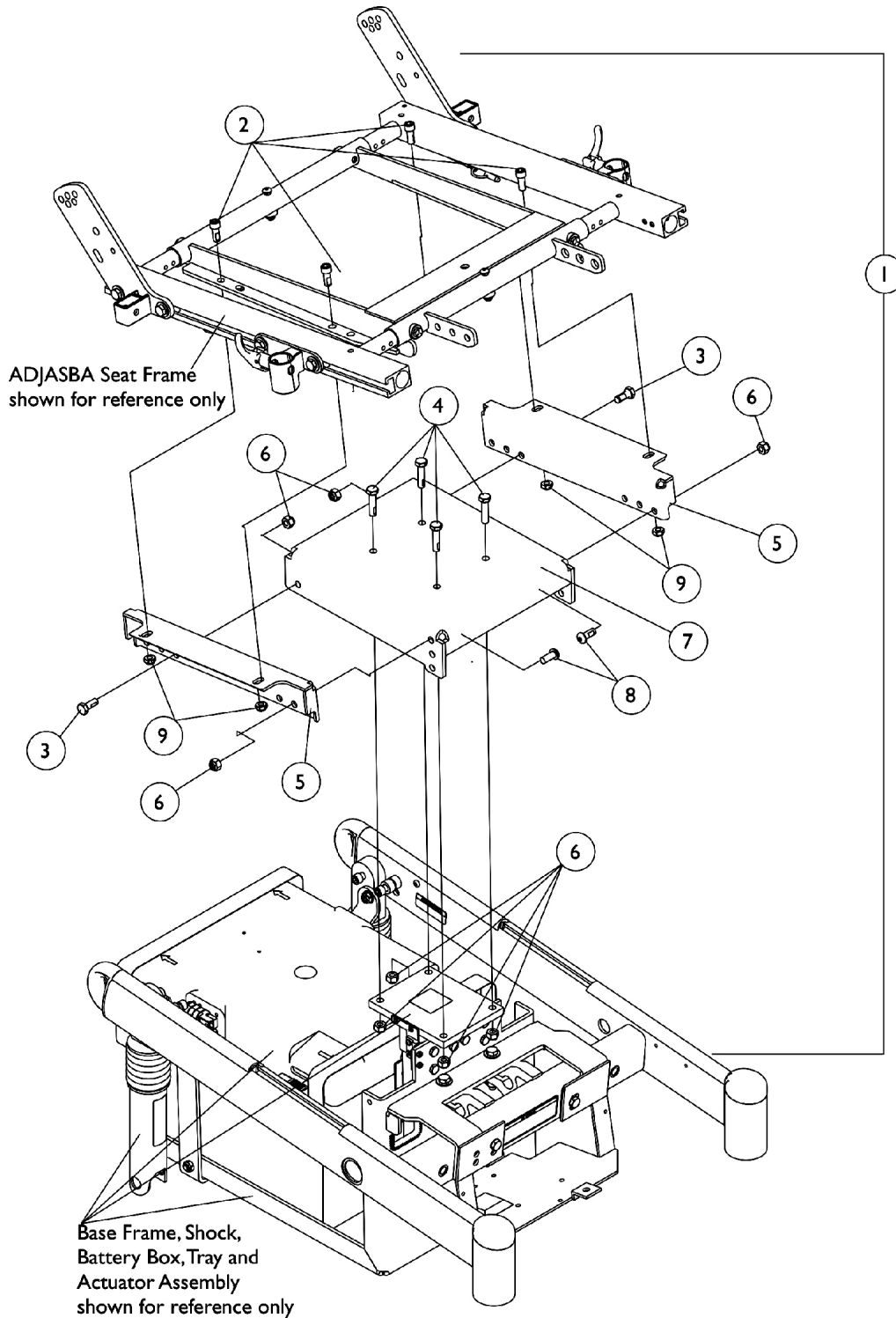


# ADJASBA Seat Frame Mounting Hardware For Elevating Seat (16"-22" Wide) (After 7/4/05)

Discontinued 10/16/06. After 10/15/06, Refer to Formula CG Powered Seating System Parts Catalog Form #06-106 for the Elevate Option components for 3G Storm Series.



# ADJASBA Seat Frame Mounting Hardware For Elevating Seat (16"-22" Wide) (After 7/4/05)

Discontinued 10/16/06. After 10/15/06, Refer to Formula CG Powered Seating System Parts Catalog Form #06-106 for the Elevate Option components for 3G Storm Series.

| Item Number | Note | Part Number | Description   | Quantity Per |          |
|-------------|------|-------------|---|--------------|----------|
|             |      |             |   | Package      | Assembly |
| 1           | A    | 1134496-NLA | NLA - Kit, Seat Frame Mounting Hardware - Elevate   | 1            | 1        |
| 2           |      |             | NLA - Screw, Socket Head (5/16-18 x 3/4")           | 1            | 4        |
| 3           |      |             | Screw, Hex Head w/ Patch (5/16-18 x 3/4")           | 1            | 2        |
| 4           |      |             | Screw, Hex Head w/ Patch (5/16-18 x 1-1/4")         | 1            | 4        |
| 5           |      |             | NLA - Bracket, Seat Frame Support, Black            | 1            | 2        |
| 6           |      |             | Locknut (5/16-18)                                   | 1            | 8        |
| 7           |      |             | NLA - Bracket, Seat Frame Mounting, Black           | 1            | 1        |
| 8           |      |             | Screw, Socket Button Head w/ Patch (5/16-18 x 3/4") | 1            | 2        |
| 9           |      |             | Locknut (5/16-18)                                   | 1            | 4        |

NOTE: A - Includes items 2-9