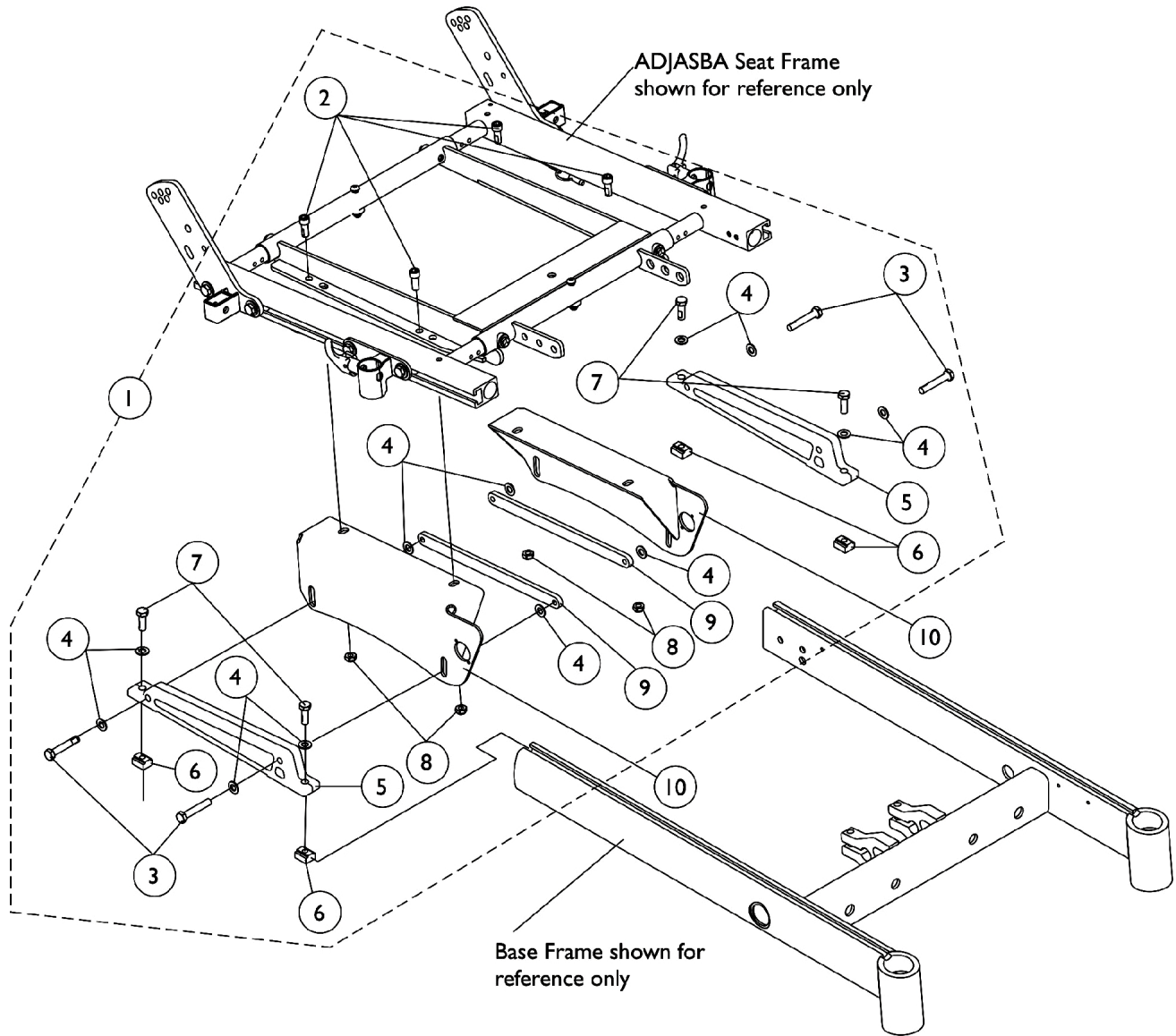


# Seat Frame Mounting Hardware

(16" - 24" Wide) ADJASBA/ADJRECL (After 7/4/05) & TRBKTS Option



## Seat Frame Mounting Hardware (16" - 24" Wide) ADJASBA/ADJRECL (After 7/4/05) & TRBKTS Option

Item Number	Note	Part Number	Description	Quantity Per	
				Package	Assembly
1	A	1134493	Kit, Seat Frame Mounting Hardware	1	1
2			NLA - Screw, Socket Head (5/16-18 x 3/4")	1	4
3			NLA - Screw, Hex Head w/ Patch (5/16-18 x 1-3/4")	1	4
4			Washer, Flat (5/16 x 5/8 x 1/16")	1	12
5			Support, Seat, Black	1	2
6			T-Nut (5/16-18)	1	4
7			NLA - Screw, Hex Head w/ Patch (5/16-18 x 7/8")	1	4
8			Locknut (5/16-18)	1	4
9			NLA - Strap, Bolt, Black	1	2
10	B	1104428	Plate, Low Seat Mounting - Right	1	1
10	B	1104429	Plate, Low Seat Mounting - Left	1	1
10	C	1104430	Plate, Medium Seat Mounting - Right	1	1
10	C	1104431	Plate, Medium Seat Mounting - Left	1	1
10	D	1104432	Plate, Tall Seat Mounting - Right	1	1
10	D	1104433	Plate, Tall Seat Mounting - Left	1	1

NOTE: A - Includes items 2-9 and used for ADJASBA and ADJRECL Seat Frames  
 B - Low = 17-1/2" Seat-To-Floor  
 C - Med = 19-3/4" Seat-To-Floor  
 D - Tall = 21-1/2" Seat-To-Floor