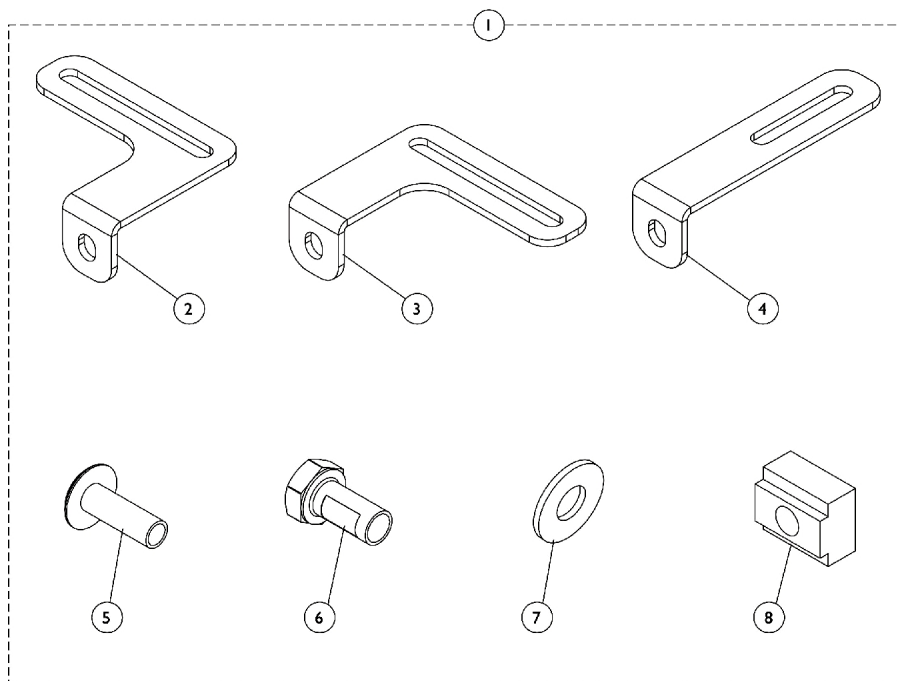


KSS Mounting Brackets

For (12"-16" Wide) ADJASBA and Pronto M71 jr.Seat Frames



KSS Mounting Brackets

For (12"-16" Wide) ADJASBA and Pronto M71 jr.Seat Frames

Item Number	Note	Part Number	Description	Quantity Per	
				Package	Assembly
1	A	1136833	Kit, KSS Mounting Hardware For Seat Rails with T-Nuts	1	1
2			Bracket, Seat Mounting, Rear, Black - Right	1	1
3			Bracket, Seat Mounting, Rear, Black - Left	1	1
4			Bracket, Seat Mounting, Front, Black	1	2
5			Screw, Phillips Truss Head (1/4-20 x 3/4")	1	8
6			Screw, Hex Head w/ Patch (5/16-18 x 5/8")	1	4
7			Washer, Steel (5/16 x 3/4 x 1/16")	1	4
8			T-Nut (5/16-18)	1	4

NOTE: A - Includes items 2-8