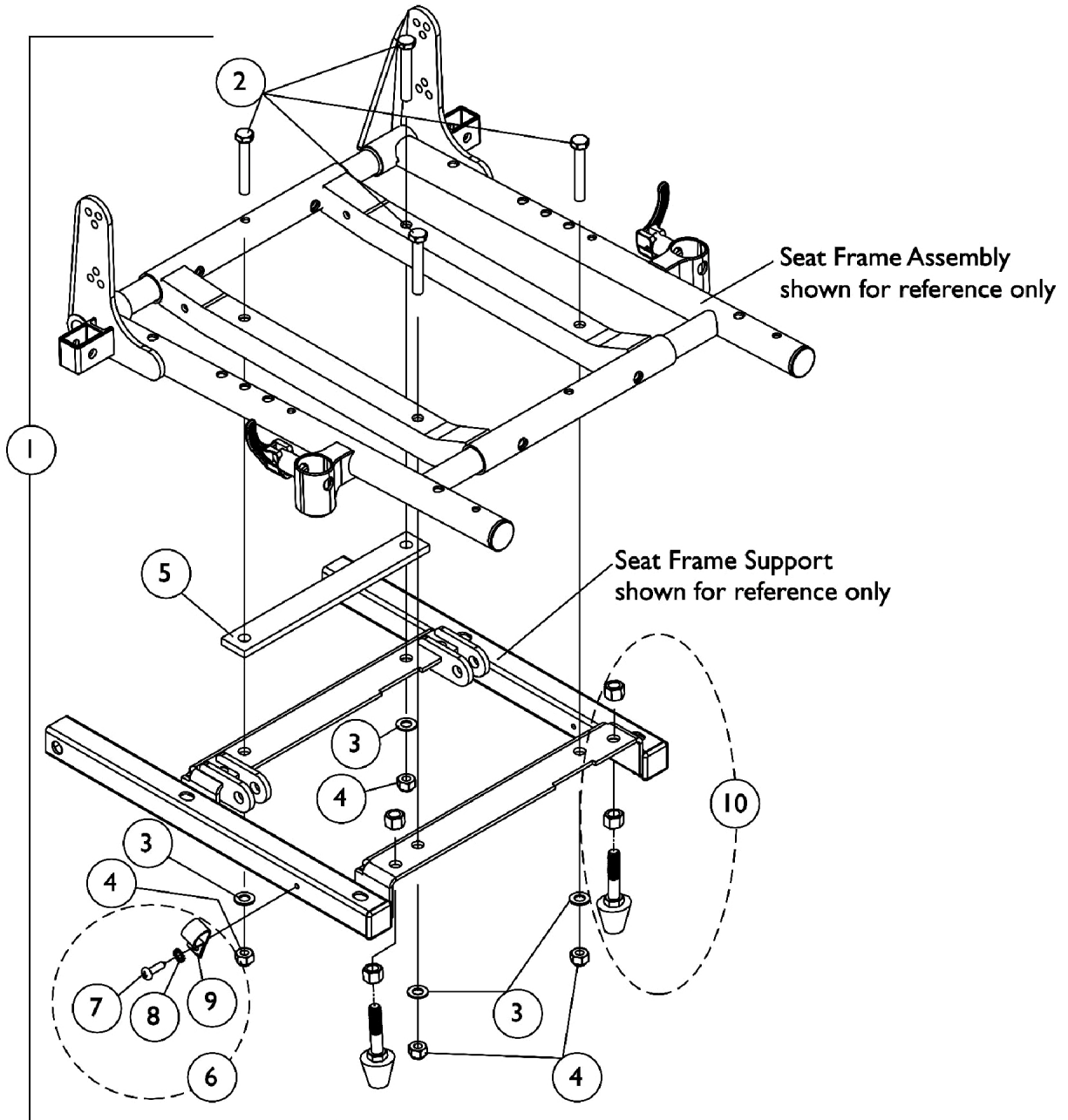


ASBA Seat Mounting Hardware

14"-15" Wide



ASBA Seat Mounting Hardware 14"-15" Wide

Item Number	Note	Part Number	Description	Quantity Per	
				Package	Assembly
1	A,D	1121054-NLA	NLA - Kit, 0 Degree 12-15 Wide ASBA Seat Mounting Hardware	1	1
2			NLA - Screw, Hex Head w/ Patch (5/16-18 x 1-3/4")	1	4
3			Washer, Flat (5/16 x 5/8 x 1/16")	1	4
4			Locknut (5/16-18)	1	4
1	B,D	1107308	NLA - Kit, 0 Degree (12-15 Wide ASBA) & (12-16 Wide ADJASBA) Seat Mounting Hardware	1	1
2			NLA - Screw, Hex Head (5/16-18 x 2")	1	4
3			Washer, Flat (5/16 x 5/8 x 1/16")	1	4
4			Locknut (5/16-18)	1	4
5			NLA - Plate, Spacer	1	1
6	C	1106544-NLA	NLA - Kit, Switch Clip with Mounting Hardware	1	1
7			NLA - Bracket, Cable/Wire Mounting, Black	1	1
8			Screw, Phillips Pan Head Tap (#10-16 x 3/4")	1	1
9			Lockwasher, External Tooth (#10)	1	1
10		1111007-NLA	NLA - Bumper with Mounting Hardware (Pair)	2	1
<p>NOTE: A - Hardware Before 2/17/03 and includes items 2-4. A Spacer Plate was added after 2/16/03. When a new Seat Frame Support is needed, Seat Mounting Hardware dated after 2/16/03 must be ordered. B - Hardware After 2/16/03 and includes items 2-5 C - Includes items 7-9 D - PTO on Pronto R2 excluded 12"-13" wide seat widths</p>					