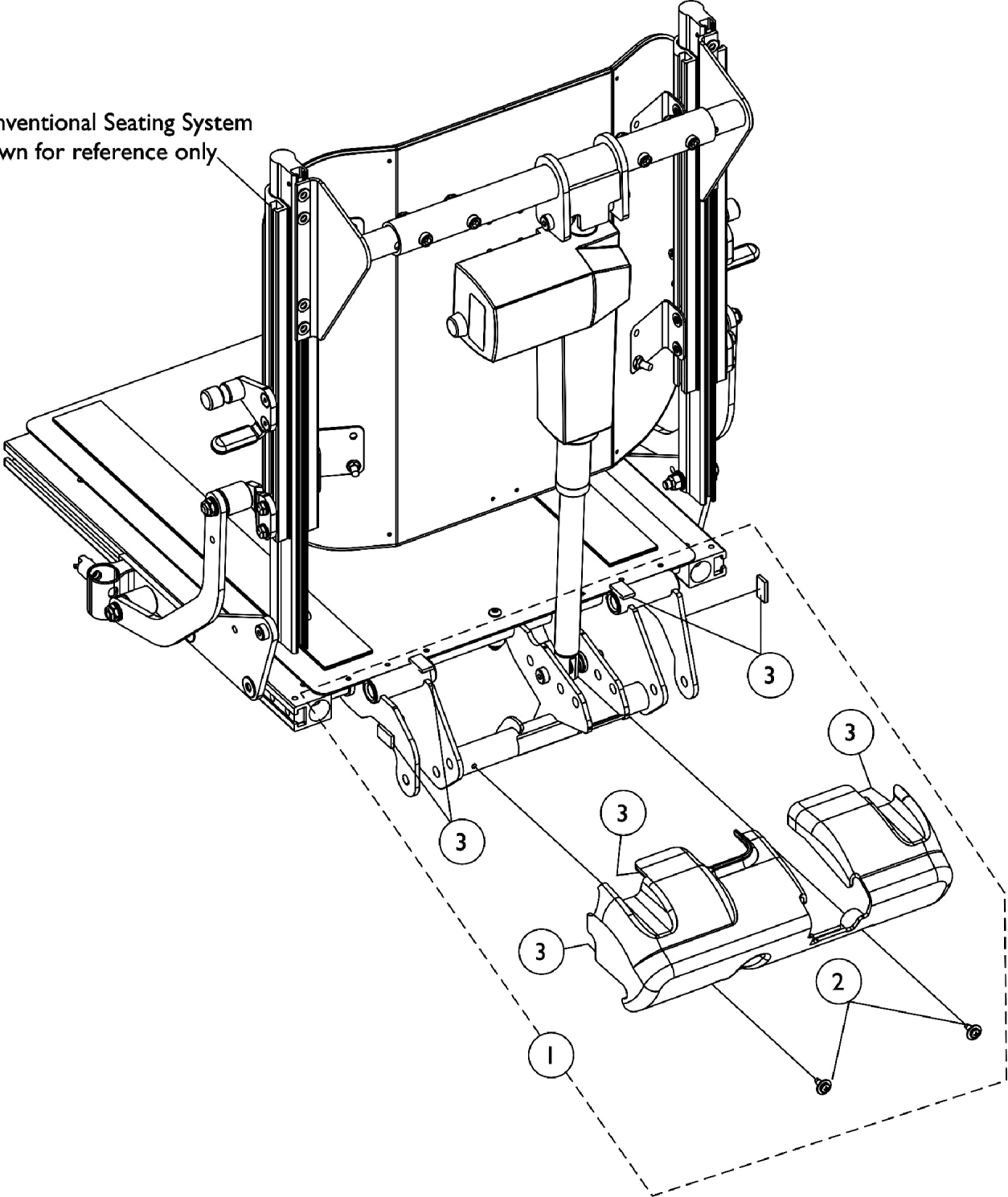


# Conventional Shroud Cover

Conventional Seating System  
shown for reference only



# Conventional Shroud Cover

Item Number	Note	Part Number	Description	Quantity Per	
				Package	Assembly
1	A	1125704-NLA	NLA - Cover Assembly, Seat Frame Shroud	1	1
2		1114308	Screw, Phillips Pan Head Tap (#10-32 x 1/2")	1	2
3		1090197	Fastener, Dual Lock (1/2" W x 7/8" L)	1	8

NOTE: A - Includes the Shroud Cover and items 2-3