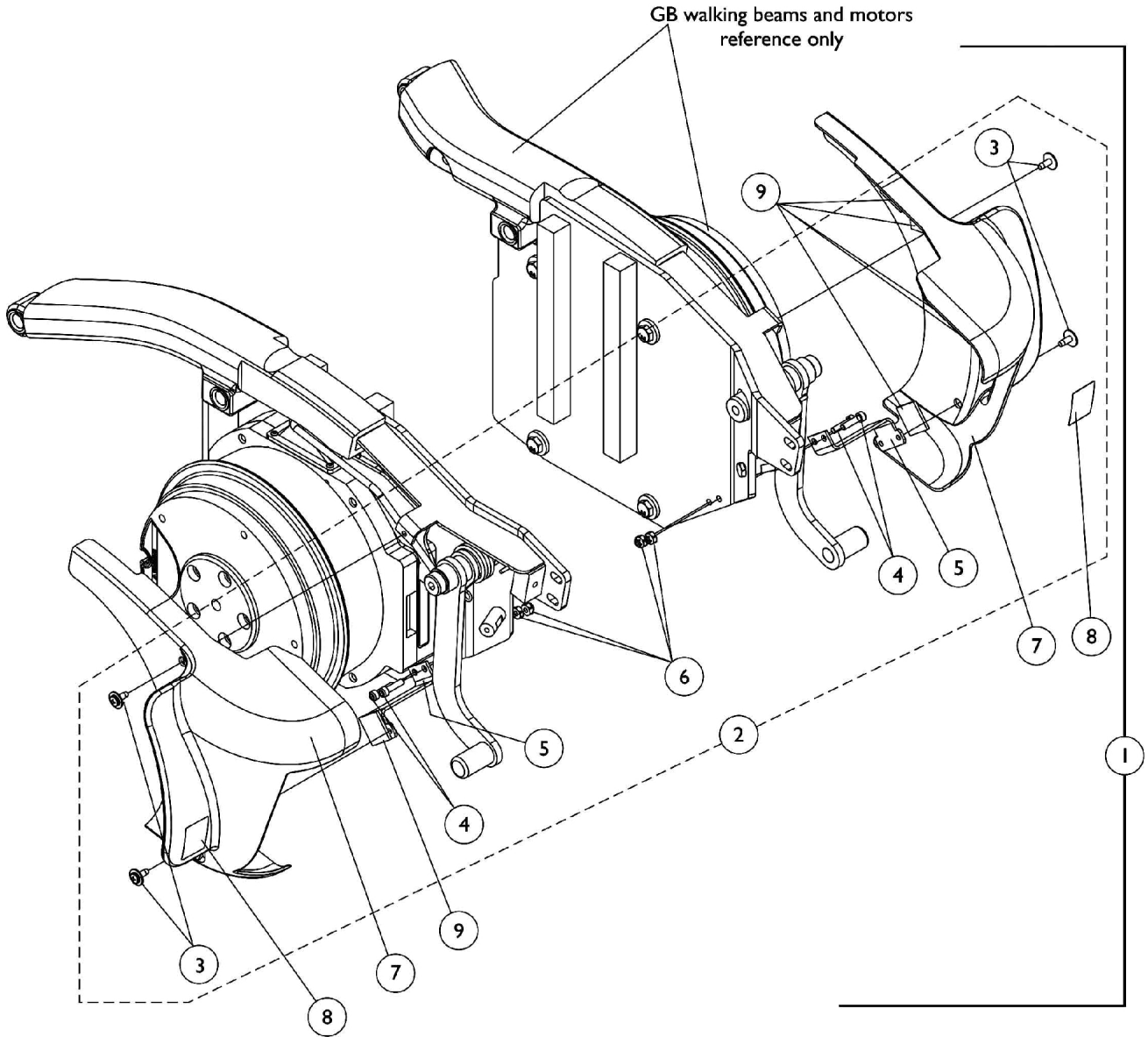


# Fender Assembly For GB Motors



## Fender Assembly For GB Motors

Item Number	Note	Part Number	Description	Quantity Per	
				Package	Assembly
1	A	1113216-NLA	NLA - GB Fender Assembly with Hardware	2	1
2	B	1120356-NLA	NLA - GB Fender Hardware	2	1
3		1114308	Screw, Phillips Pan Head Tap (#10-32 x 1/2")	1	4
4		0224600-NLA	NLA - Screw, Socket Head, Cap (#10-32 x 3/4")	1	4
5		1134523-NLA	NLA - Kit, Fender Mounting Bracket w/ Adhesive Loop, Black	1	2
6		1025735	Locknut (#10-32)	1	4
7	C	1121128-NLA	NLA - Fender Assembly, GB - Right	1	1
7	C	1121129-NLA	NLA - Fender Assembly, GB - Left	1	1
8		1104802	Decal, Push/Drive	1	2
9		1120470-NLA	NLA - Fastener, Loop with Adhesive Back (1" W X 1" L)	1	10
NOTE: A - Includes items 2 and 7 B - Includes items 3-6 C - Includes Fender and items 8-9					