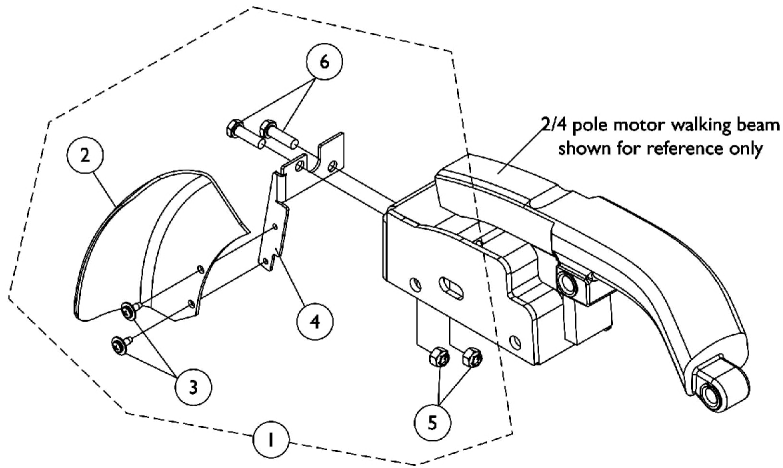
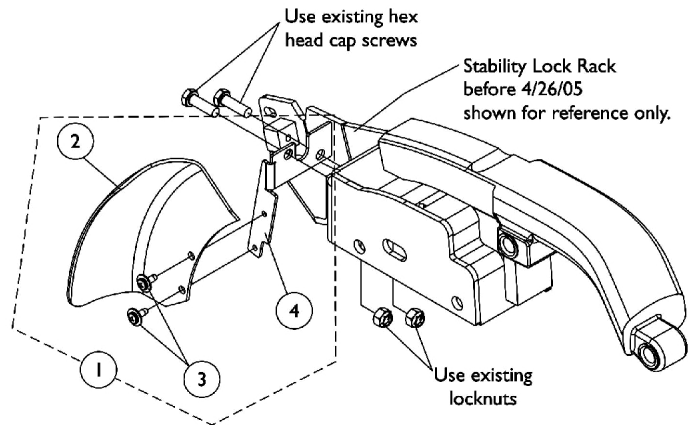


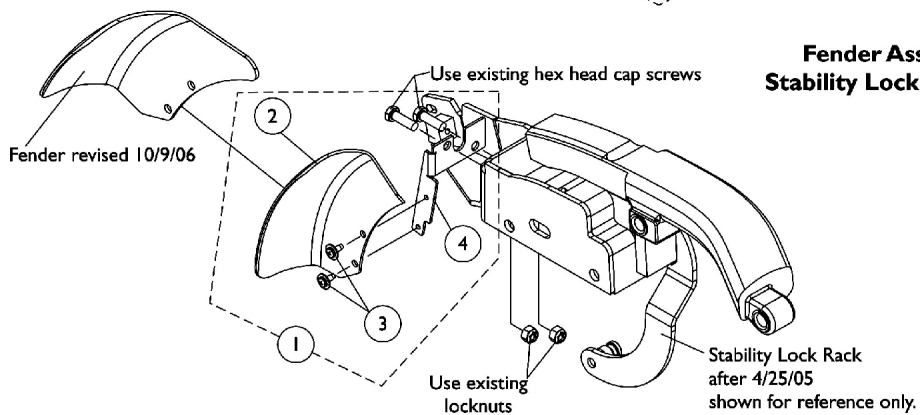
Fender Assembly For 2-Pole and 4-Pole Motors



Fender Assembly without Stability Lock



Fender Assembly with Stability Lock Before 4/26/05



Fender Assembly with Stability Lock After 4/25/05

Fender Assembly For 2-Pole and 4-Pole Motors

Item Number	Note	Part Number	Description	Quantity Per	
				Package	Assembly
1	A,C	1120370-NLA	NLA - Fender Assembly without Stability Lock - Right	1	1
1	A,D	1120371-NLA	NLA - Fender Assembly without Stability Lock - Left	1	1
1	B,E	1120374-NLA	NLA - Fender Assembly with Stability Lock - Right	1	1
1	B,E	1120375-NLA	NLA - Fender Assembly with Stability Lock - Left	1	1
2	E	1117245-NLA	NLA - Fender - Right	1	1
2	E	1117246-NLA	NLA - Fender - Left	1	1
3		1114308	Screw, Phillips Pan Head Tap (#10-32 x 1/2")	1	2
4		1113238-NLA	NLA - Bracket, Fender Mounting Black - Right	1	1
4		1113239-NLA	NLA - Bracket, Fender Mounting, Black - Left	1	1
5		1026158	Locknut (5/16-18)	1	2
6		1003548	Screw, Hex Head (5/16-18 x 1")	1	2

NOTE: A - Includes items 2-6
 B - Includes items 2-4
 C - Refer to part number 1120374 and order 2 each of item #6 as well.
 D - Refer to part number 1120375 and order 2 each of item #6 as well.
 E - Fenders were revised 10/9/06 and are backward compatible for chairs manufactured before 10/9/06. It is recommended to order fenders in pairs for chairs manufactured before 10/9/06