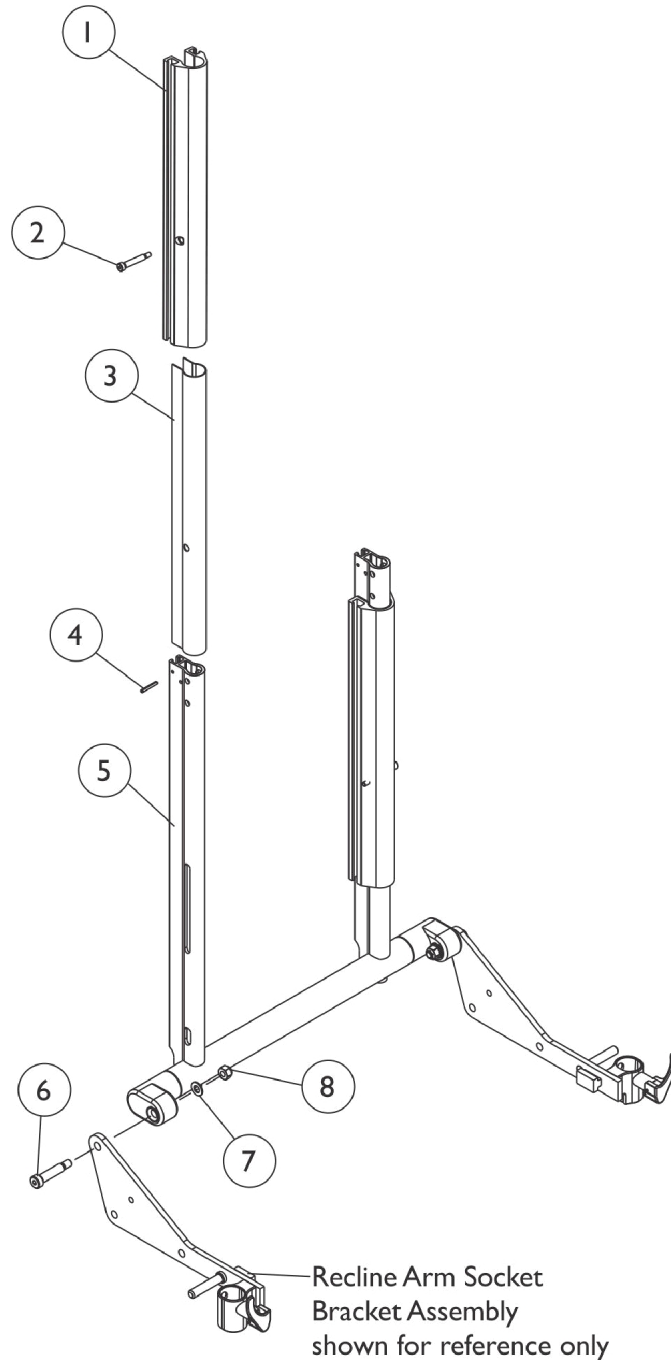


Back Frame, Slide Blocks and Sleeves For Contoura Seating

Back Cane material height measures approximately 20-1/2" and the overall back height from the seat pan to the top of the extruded cane measures approximately 23" high. Only the Back Assembly needs to be replaced when changing back heights.



Contoura Tilt, Recline and Tilt/Recline

SHEP_I56A

Back Frame, Slide Blocks and Sleeves For Contoura Seating

Back Cane material height measures approximately 20-1/2" and the overall back height from the seat pan to the top of the extruded cane measures approximately 23" high. Only the Back Assembly needs to be replaced when changing back heights.

Item Number	Note	Part Number	Description	Quantity Per	
				Package	Assembly
1		1122263	Block, Slide Back - Left	1	1
1		1124693	Block, Slide Back - Right	1	1
2		1000212	Screw, Shoulder Hex Socket (1/4 x 1-1/4", #10-24)	1	2
3		1122464	Sleeve, Back Slide (15-1/4" L)	1	2
4		1119847	Pin, Roll (1/8 x 1")	1	2
5		1131422	Frame, Back, Contoura, Black (16" W)	1	1
5		1122459	Frame, Back, Contoura, Black (18" W)	1	1
5		1122463	Frame, Back, Contoura, Black (20" W)	1	1
5		1131423	Frame, Back, Contoura, Black (22" W)	1	1
5		1131424	Frame, Back, Contoura, Black (24" W)	1	1
6		1062604	Screw, Shoulder Hex Socket (3/8 x 1-1/4", 5/16-18)	1	2
7		1025704	Washer, Flat (5/16 x 5/8 x 1/16")	1	2
8		1026158	Locknut (5/16-18)	1	2