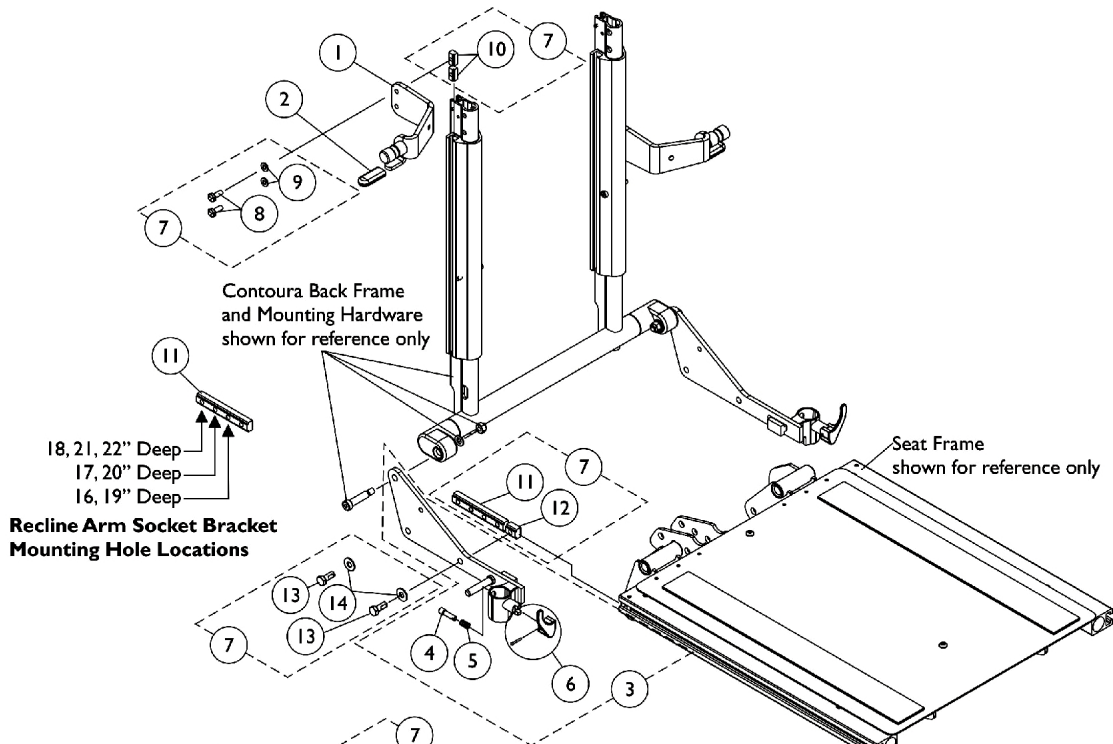
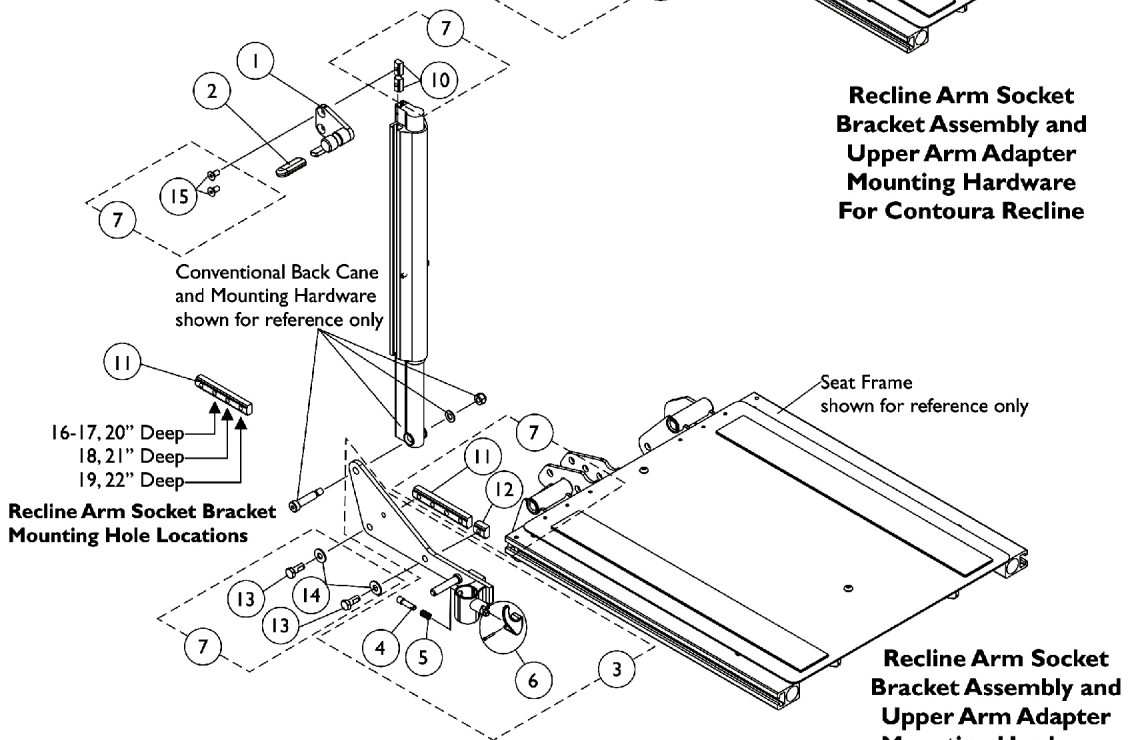


Arm Mounting Hardware

Conventional and Contoura Recline and Tilt/Recline Seating



Recline Arm Socket Bracket Assembly and Upper Arm Adapter Mounting Hardware For Contoura Recline



Recline Arm Socket Bracket Assembly and Upper Arm Adapter Mounting Hardware For Conventional Recline

Arm Mounting Hardware

Conventional and Contoura Recline and Tilt/Recline Seating

#1 Adapter, Contoura Recline Upper Arm - Before 5/15/09

Adapter Side	16" Wide	18" Wide	20" Wide	22" Wide	24" Wide
Contoura - Right	1131416-NLA	1122582-NLA	1122625-NLA	1131418-NLA	1131420-NLA
Contoura - Left	1131417-NLA	1125807-NLA	1125808-NLA	1131419-NLA	1131421-NLA

#1 Adapter, Curve Contoura Recline Upper Arm - After 5/14/09

Adapter Side	16" Wide	18" Wide	20" Wide	22" Wide	24" Wide
Curve Contoura - Right	1161802	1161655	1161660	1161796	1161820
Curve Contoura - Left	1161803	1161656	1161661	1161797	1161821

Arm Mounting Hardware Conventional and Contoura Recline and Tilt/Recline Seating

Item Number	Note	Part Number	Description	Quantity Per	
				Package	Assembly
1		See Chart	#1 Adapter, Contoura Recline Upper Arm - Before 5/15/09	1	1
1		See Chart	#1 Adapter, Curve Contoura Recline Upper Arm - After 5/14/09	1	1
1		1122595	Adapter, Conventional Recline Upper Arm - Right	1	1
1		1125809	Adapter, Conventional Recline Upper Arm - Left	1	1
2		1006490	Tip, Plastic, Black	1	1
3	A	1124682	Recline Arm Socket Bracket Assembly, Black - Right	1	1
3	A	1124683	Recline Arm Socket Bracket Assembly, Black - Left	1	1
4		1028594	Pin, Arm Lock, Black	1	1
5		47471X074	Spring, Arm Lock	1	1
6		1090768	Kit, Lock Handle w/Rivets (Pair)	2	1
7	B	1125735-NLA	NLA - Kit, Recline Arm Socket Assembly and Upper Arm Adapter Mounting Hardware	1	1
8			Screw, Hex Head w/ Patch (1/4-20 x 5/8")	1	2
9			Washer (1/4 x 1/2 x 1/16")	1	2
10			T-Nut (1/4-20)	1	2
11			T-Nut (5/16-18)	1	1
12			T-Nut (5/16-18)	1	1
13			Screw, Hex Head w/ Patch (5/16-18 x 3/4")	1	2
14			Washer, Steel (5/16 x 3/4 x 1/16")	1	2
15			NLA - Screw, Socket Flat Head w/ Patch (1/4-20X1/2")	1	2

NOTE: A - Includes Recline Arm Socket Bracket and items 4-6.
B - Includes items 8-15.