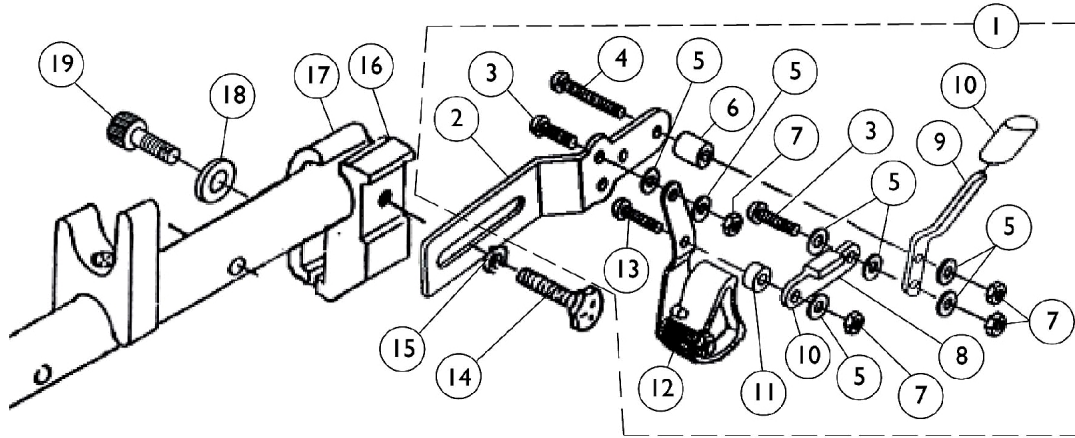


Hill Holder Wheel Lock and Attaching Hardware



Hill Holder Wheel Lock and Attaching Hardware

Item Number	Note	Part Number	Description	Quantity Per	
				Package	Assembly
1	A	1026712	Hill Holder Wheel Lock Assembly - Right	1	1
2			Bracket, Black	1	1
3			Screw, Socket Button Head (1/4-28 x 5/8")	1	2
4			NLA - Screw, Socket Button Head (1/4-28 x 1-1/4")	1	1
5			Washer, Nylon (1/4 x 1/2 x 1/32")	1	7
6			NLA - Spacer (1/4 x 1/2 x 1/2")	1	1
7			Locknut (1/4-28)	1	4
8			NLA - Link, Stop, Black	1	1
9			NLA - Handle, Wheel Lock, Black - Right	1	1
10			Tip, Plastic, Black	1	1
11			NLA - Spacer	1	1
12			Hill Holder Assembly - Right	1	1
13			NLA - Screw, Socket Button Head (1/4-28 x 3/4")	1	1
1	A	1026713	Hill Holder Wheel Lock Assembly - Left	1	1
2			Bracket, Black	1	1
3			Screw, Socket Button Head (1/4-28 x 5/8")	1	2
4			NLA - Screw, Socket Button Head (1/4-28 x 1-1/4")	1	1
5			Washer, Nylon (1/4 x 1/2 x 1/32")	1	7
6			NLA - Spacer (1/4 x 1/2 x 1/2")	1	1
7			Locknut (1/4-28)	1	4
8			Tip, Plastic, Black	1	1
9			NLA - Handle, Wheel Lock, Black - Left	1	1
10			NLA - Link, Stop, Black	1	1
11			NLA - Spacer	1	1
12			NLA - Hill Holder Assembly - Left	1	1
13	B,C	1026352	NLA - Screw, Socket Button Head (1/4-28 x 3/4")	1	1
14			Kit, Wheel Lock Hardware	2	1
15			NLA - Bolt, Hex Head Cap (1/4-20 x 3/4")	1	2
16			Washer (1/4 x 5/8 x 3/32")	1	2
17			NLA - Clamp, Half, Threaded	1	2
18			NLA - Clamp, Half, Non-Threaded	1	2
19			Washer, Nylon (1/4 x 7/16 x 5/64")	1	2
			Screw, Socket Head (1/4-20 x 1-1/4")	1	2
NOTE: A - Includes items 2-13 B - Not Shown C - Includes items 14-19					