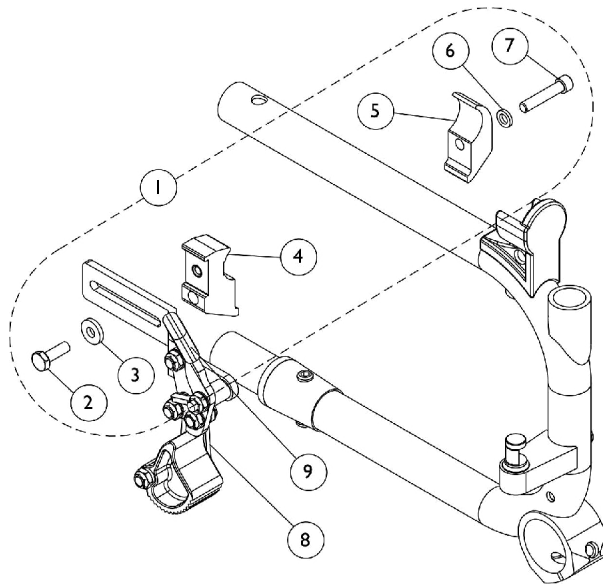


# Hill Holder Wheel Lock & Attaching Hardware



## Hill Holder Wheel Lock & Attaching Hardware

Item Number	Note	Part Number	Description	Quantity Per	
				Package	Assembly
1		1026352	Kit, Wheel Lock Hardware	1	1
2			NLA - Bolt, Hex Head Cap (1/4-20 x 3/4")	1	2
3			Washer (1/4 x 5/8 x 3/32")	1	2
4			NLA - Clamp, Half, Threaded	1	2
5			NLA - Clamp, Half, Non-Threaded	1	2
6			Washer, Nylon (1/4 x 7/16 x 5/64")	1	2
7			Screw, Socket Head (1/4-20 x 1-1/4")	1	2
8		1026712	Hill Holder Wheel Lock Assembly - Right	1	1
			Bracket, Black	1	1
			Screw, Socket Button Head (1/4-28 x 5/8")	1	2
			NLA - Screw, Socket Button Head (1/4-28 x 1-1/4")	1	1
			Washer, Nylon (1/4 x 1/2 x 1/32")	1	7
			NLA - Spacer (1/4 x 1/2 x 1/2")	1	1
			Locknut (1/4-28)	1	4
			NLA - Link, Stop, Black	1	1
			NLA - Handle, Wheel Lock, Black - Right	1	1
			Tip, Plastic, Black	1	1
			NLA - Spacer	1	1
			Hill Holder Assembly - Right	1	1
			NLA - Screw, Socket Button Head (1/4-28 x 3/4")	1	1
8		1026713	Hill Holder Wheel Lock Assembly - Left	1	1
			Bracket, Black	1	1
			Screw, Socket Button Head (1/4-28 x 5/8")	1	2
			NLA - Screw, Socket Button Head (1/4-28 x 1-1/4")	1	1
			Washer, Nylon (1/4 x 1/2 x 1/32")	1	7
			NLA - Spacer (1/4 x 1/2 x 1/2")	1	1
			Locknut (1/4-28)	1	4
			Tip, Plastic, Black	1	1
			NLA - Handle, Wheel Lock, Black - Left	1	1
			NLA - Link, Stop, Black	1	1
			NLA - Spacer	1	1
			NLA - Hill Holder Assembly - Left	1	1
			NLA - Screw, Socket Button Head (1/4-28 x 3/4")	1	1
9		1136024-NLA	NLA - Package, Rubber Tip, Wheel Lock Handle, Black	10	2