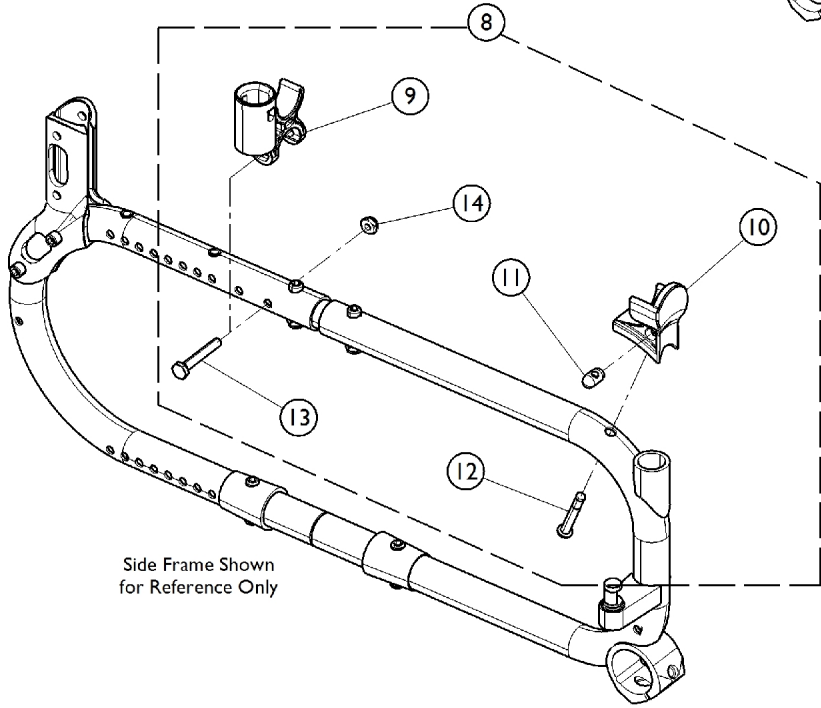
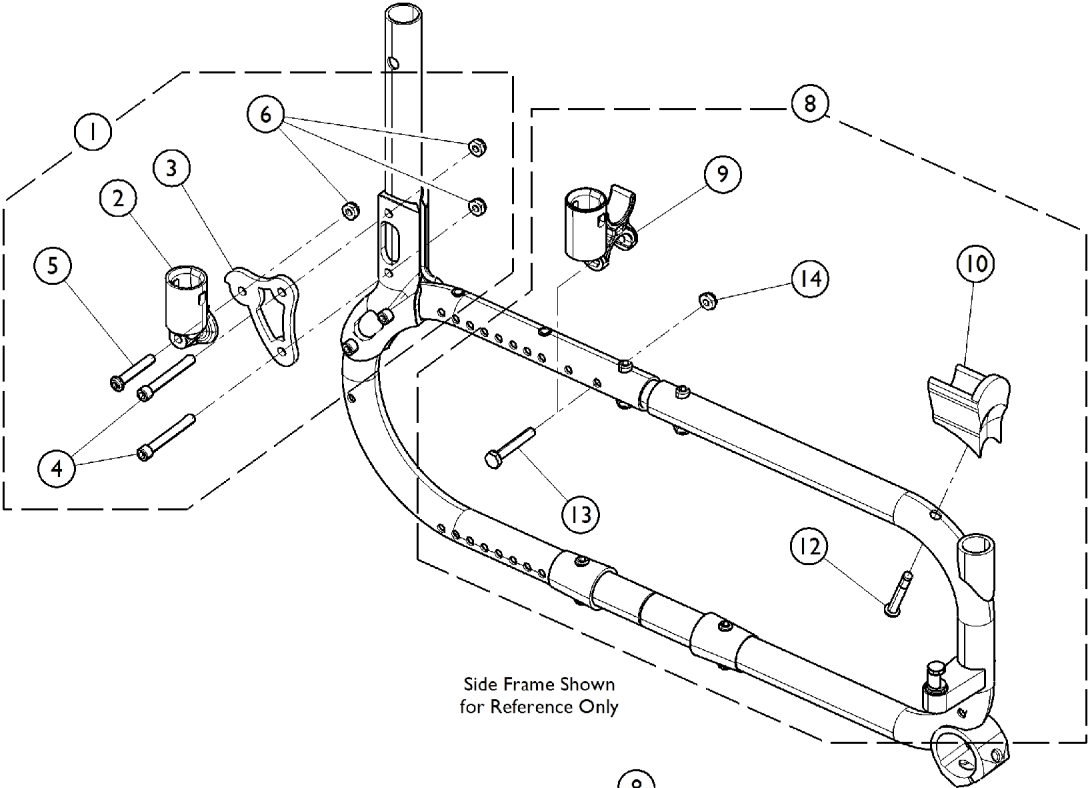


Arm Attaching Hardware

Conventional Adjustable Height Arms



Arm Attaching Hardware Conventional Adjustable Height Arms

Item Number	Note	Part Number	Description	Quantity Per	
				Package	Assembly
1	A	1130579	Kit, Rear Arm Socket Hardware	1	1
2			Cup, Socket Pivot	1	2
3			NLA - Bracket, Arm Mounting, Black	1	2
4			Screw, Socket Head (1/4-28 x 2")	1	4
5			Screw, Socket Button Head (1/4-28 x 1-1/2")	1	2
6			Locknut (1/4-28)	1	6
8	B	1139450	Kit, Seat Guide Hardware	1	1
9			Socket, Arm	1	2
10			H-Block, Front - Right	1	1
10			H-Block, Front - Left	1	1
12			Screw, Hex Head (1/4-28 x 1-5/8")	1	2
13			Screw, Socket Button Head w/ Patch (1/4-20 x 3/4")	1	2
14	C	1130543	Locknut (1/4-28)	1	2
8			Kit, Seat Guide Hardware	1	1
9			Socket, Arm	1	2
10			H-Block, Front - Right	1	1
10			H-Block, Front - Left	1	1
11			Pin, Threaded (3/8" x 3/4")	1	2
12			Screw, Socket Head (1/4-28 x 1-1/2")	1	2
13			Screw, Hex Head (1/4-28 x 1-5/8")	1	2
14	Locknut (1/4-28)	1	2		

NOTE: A - Includes items 2-6.
B - For Heavy Duty Chairs with Conventional Adjustable Height Arms. Includes items 9, 10, and 12-14.
C - For Non Heavy Duty Chairs with Conventional Adjustable Height Arms. Includes items 9-14.