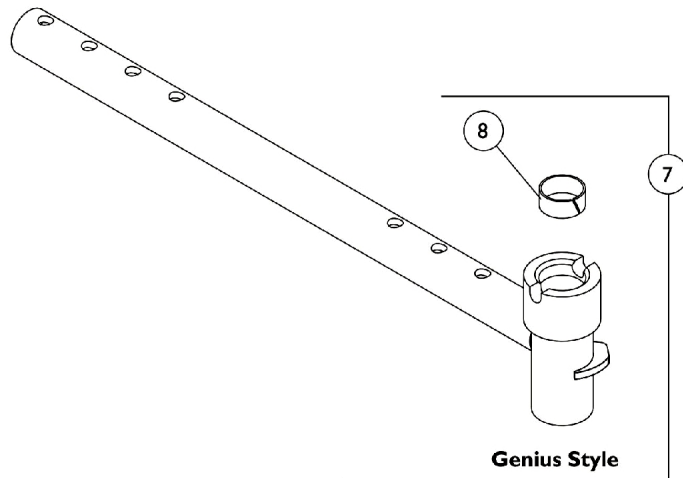
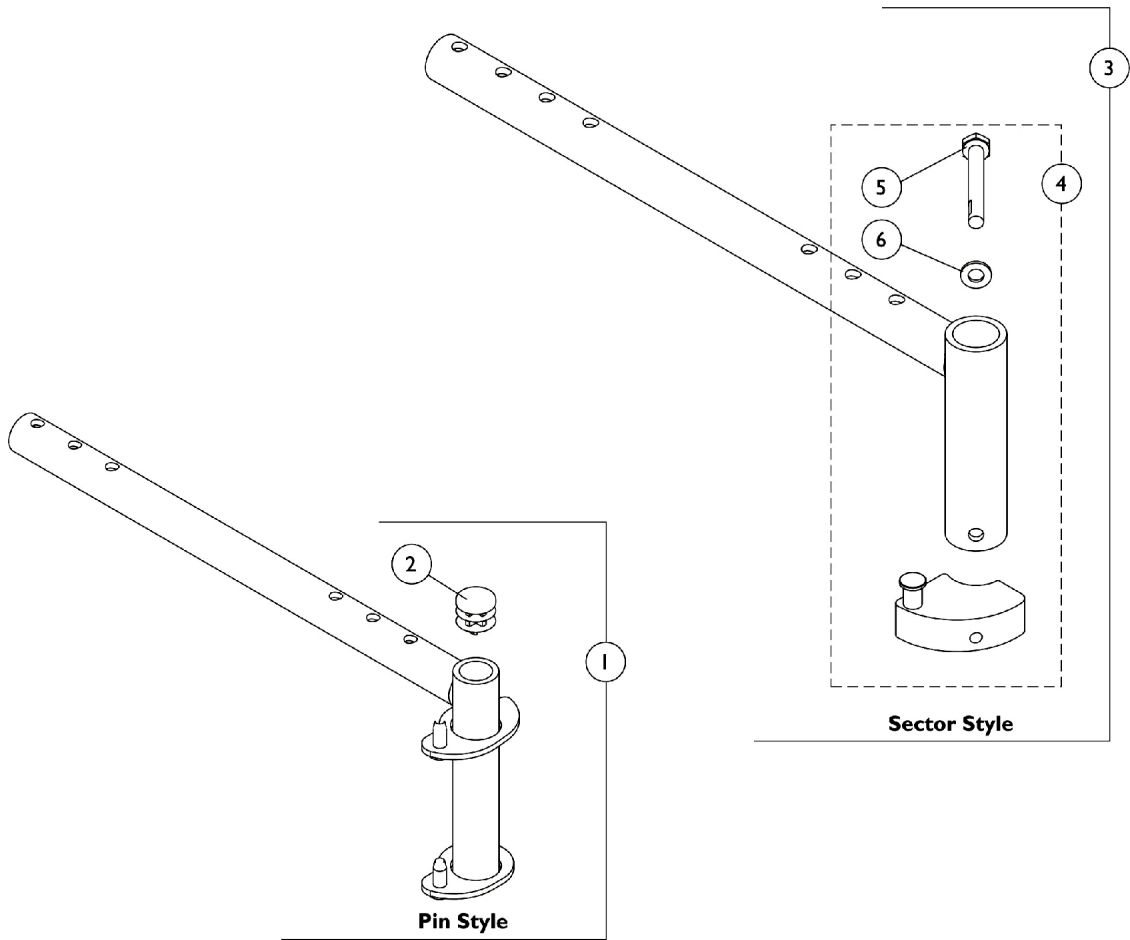


Front Rigging Hanger Assembly

Sector, Pin and Genius Style

NOTE: Front rigging hanger assemblies and seat pans share the same mounting hardware, see Seat Pan Mounting Hardware page.



Front Rigging Hanger Assembly

Sector, Pin and Genius Style

NOTE: Front rigging hanger assemblies and seat pans share the same mounting hardware, see Seat Pan Mounting Hardware page.

Item Number	Note	Part Number	Description	Quantity Per	
				Package	Assembly
1	A	1070356-NLA	NLA - Hanger Assembly, Front Rigging, Pin Style, Black - Right (12 - 21" D)	1	1
1	A	1070357-NLA	NLA - Hanger Assembly, Front Rigging, Pin Style, Black - Left (12 - 21" D)	1	1
1	A	1070358-NLA	NLA - Hanger Assembly, Front Rigging, Pin Style, Black - Right (22" D)	1	1
1	A	1070359-NLA	NLA - Hanger Assembly, Front Rigging, Pin Style, Black - Left (22" D)	1	1
2		1027097	Plug Button, Black (3/4")	1	1
3	B	1068435	Front Rigging Hanger Assembly w/ Sector Block, Black - Right (12 - 21" D)	1	1
3	B	1068436	Front Rigging Hanger Assembly w/ Sector Block, Black - Left (12 - 21" D)	1	1
3	B	1068437-NLA	NLA - Front Rigging Hanger Assembly w/ Sector Block, Black - Right (22" D)	1	1
3	B	1068438-NLA	NLA - Front Rigging Hanger Assembly w/ Sector Block, Black - Left (22" D)	1	1
4	C	1054571	Kit, Sector Block - Right	1	1
4	C	1054572	Kit, Sector Block - Left	1	1
5		1052957	Screw, Hex Head w/ Patch (1/4-20 x 2")	1	1
6		1026907	Washer (1/4 x 1/2 x 1/16")	1	1
7	D	1087076-NLA	NLA - Front Rigging Hanger Assembly w/ Nylon Liner, Genius Style, Short, Black - Right (16 - 21" D)	1	1
7	D	1087077-NLA	NLA - Front Rigging Hanger Assembly w/ Nylon Liner, Genius Style, Short, Black - Left (16 - 21" D)	1	1
7	D	1087078-NLA	NLA - Front Rigging Hanger Assembly w/ Nylon Liner, Genius Style, Long, Black - Right (22" D)	1	1
7	D	1087079-NLA	NLA - Front Rigging Hanger Assembly w/ Nylon Liner, Genius Style, Long, Black - Left (22" D)	1	1
8		0181000-NLA	NLA - Liner, Nylon (3/4")	1	1
NOTE: A - Includes front rigging hanger and item 2 B - Includes front rigging hanger and item 4 C - Includes sector block assembly and items 5 and 6 D - Includes front rigging hanger and item 8					