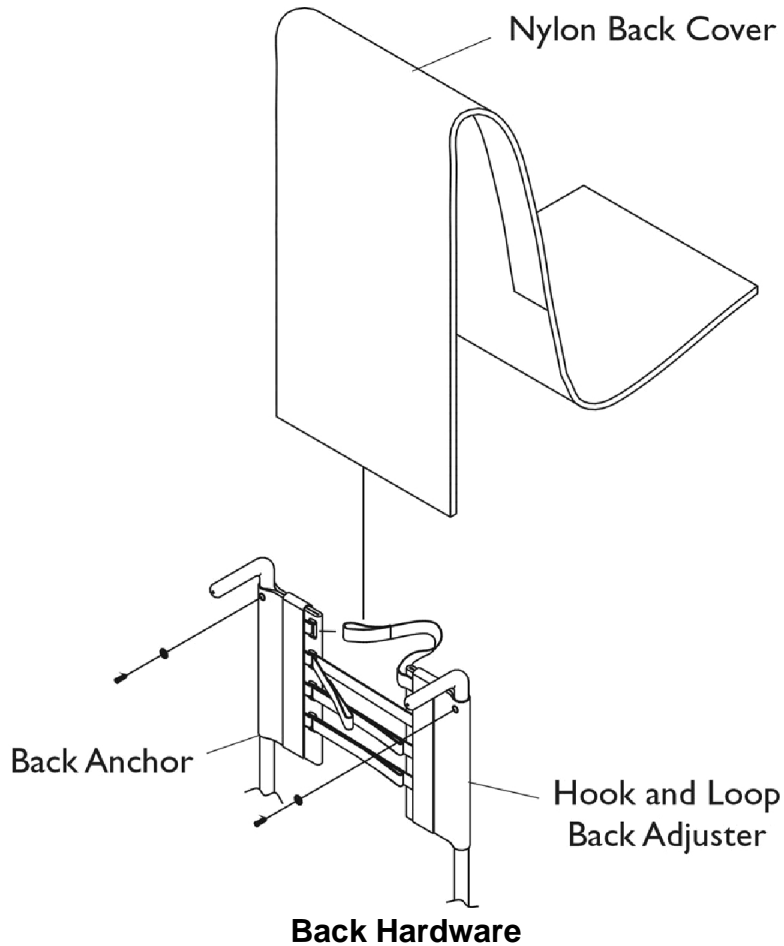


Adjustable Tension Back Upholstery

Back Assembly numbers are not available. Back components must be ordered individually.



Item Number	Note	Part Number	Description	Quantity Per	
				Package	Assembly
	A	1026298	Package, Screw with Washer (#10 x 7/8") (Pair)	2	1
	A,B	1039470-NLA	NLA - Instruction Sheet, Adjustable Tension Back Upholstery	1	1
	A	See Chart	Back Upholstery - Adjustable Tension	1	1
NOTE: A - Not Shown B - Item is no longer available from the Invacare Service Parts Department. Refer to the Invacare Website under "Product Literature Search". Enter the part number in the "Keywords" field and download a free PDF version copy.					

Adjustable Tension Back Upholstery

Back Assembly numbers are not available. Back components must be ordered individually.

Back Upholstery - Adjustable Tension

Back Height	Seat Width	Back Anchor	Hook & Loop Adjuster	Back Cover
10-14"	14"	1037927	1037936-NLA	1037929
10-14"	15"	1037927	1037936-NLA	1037930
10-14"	16"	1037927	1037936-NLA	1037931
10-14"	17"	1037927	1037928	1037932
10-14"	18"	1037927	1037928	1037933
10-14"	19"	1037927	1037937	1037934
10-14"	20"	1037927	1037937	1037935
12-16"	14"	1037916	1037925	1037918
12-16"	15"	1037916	1037925	1037919
12-16"	16"	1037916	1037925	1037920
12-16"	17"	1037916	1037917	1037921
12-16"	18"	1037916	1037917	1037922
12-16"	19"	1037916	1037926	1037923
12-16"	20"	1037916	1037926	1037924
14-18"	14"	1037720-NLA	1037736	1037722
14-18"	15"	1037720-NLA	1037736	1037723
14-18"	16"	1037720-NLA	1037736	1037724
14-18"	17"	1037720-NLA	1037721	1037725
14-18"	18"	1037720-NLA	1037721	1037726
14-18"	19"	1037720-NLA	1037737	1037727
14-18"	20"	1037720-NLA	1037737	1037728
16-20" / 17-20"	14"	1046731	1046732	1046735-NLA
16-20" / 17-20"	15"	1046731	1046732	1046736
16-20" / 17-20"	16"	1046731	1046732	1046737
16-20" / 17-20"	17"	1046731	1046733	1046738
16-20" / 17-20"	18"	1046731	1046733	1046739
16-20" / 17-20"	19"	1046731	1046734	1046740
16-20" / 17-20"	20"	1046731	1046734	1046741