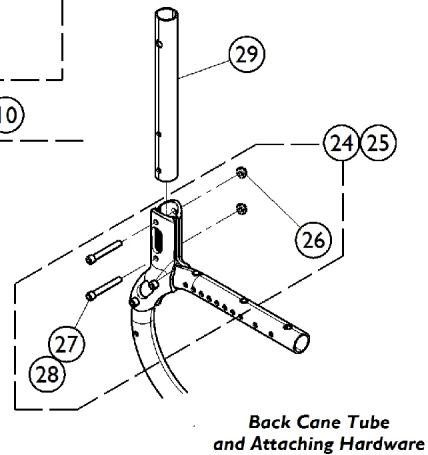
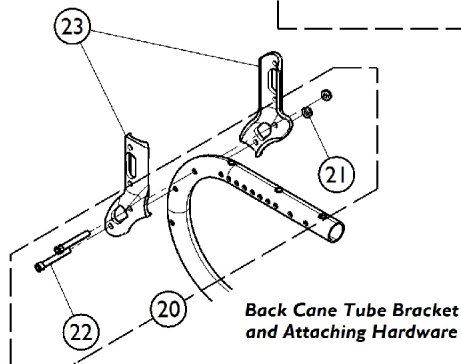
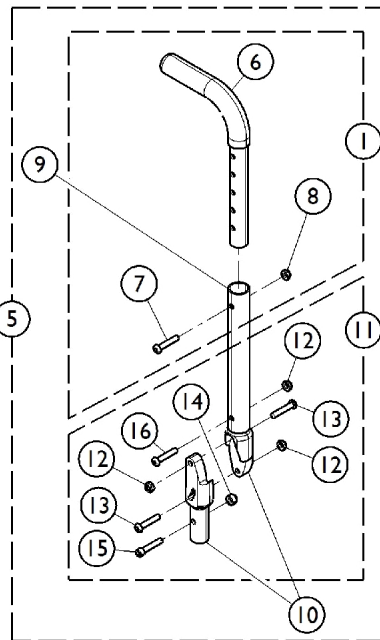
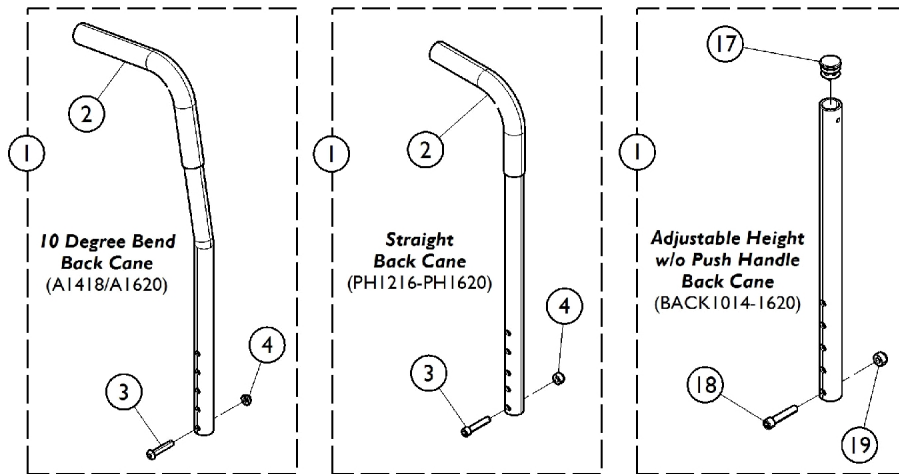


# Back Canes, Back Tube Bracket, and Hardware



## Back Canes, Back Tube Bracket, and Hardware

Item Number	Note	Part Number	Description	Quantity Per	
				Package	Assembly
1		See Chart	#1 Back Canes	1	1
2		1006229	Grip, Foam (8")	1	1
3		1003545	Screw, Socket Head (1/4-20 x 1-1/4")	1	1
4		1025736	Locknut (1/4-20)	1	1
5	A,C	1113510	Adjustable Angle Back Cane Assembly	1	1
5	B,C	1113511	Adjustable Angle Back Cane Assembly	1	1
6		1028429-NLA	NLA - Grip, Foam (6")	1	1
7		1055309	Screw, Socket Button Head (1/4-28 x 1-1/4")	1	2
8		1025736	Locknut (1/4-20)	1	1
9	A	1113508	Cane, Back, Black (12 - 16" H)	1	1
9	B	1113509	Cane, Back, Black (17 - 20" H)	1	1
10		1114702-NLA	NLA - Insert, Back Cane, Black	1	2
11	D	1130575	Kit, Adjustable Angle Back Cane Hardware	1	1
12			Locknut (1/4-28)	1	3
13			NLA - Screw, Socket Button Head (1/4-28 x 1-1/4")	1	2
14			Locknut (1/4-20)	1	1
15			Screw, Socket Head (1/4-20 x 1-1/4")	1	1
16			Screw, Socket Button Head (1/4-28 x 1-1/4")	1	1
17		1027097	Plug Button, Black (3/4")	1	1
18		1003545	Screw, Socket Head (1/4-20 x 1-1/4")	1	1
19		1025195	NLA - Locknut (1/4-20)	1	1
20	E	1130531	Kit, Back Cane Tube Bracket Hardware	1	1
21			Locknut (1/4-28)	1	4
22			Screw, Socket Head (1/4-28 x 1-3/4")	1	4
23	I,L	8881130518	Bracket, Back Cane Tube, Color - Right	1	1
23	I,L	8881130519	Bracket, Back Cane Tube, Color - Left	1	1
23	F,L	1127990	Bracket, Back Cane Tube, Silver - Right	1	1
23	F,L	1127991	Bracket, Back Cane Tube, Silver - Left	1	1
24	G	1130533	Kit, Back Cane Tube Attaching Hardware	1	1
26			Locknut (1/4-28)	1	4
27			Screw, Socket Head (1/4-28 x 2")	1	4
25	H	1130534	Kit, Back Cane Tube Attaching Hardware	1	1
26			Locknut (1/4-28)	1	4
28			Screw, Socket Head (1/4-28 x 1-3/4")	1	4
29	I,J	8881128013	Cane, Back, Color	1	1
29	K	1130492	Cane, Back, Black	1	1

NOTE: A - 12-16" High  
 B - 17-20" High  
 C - Includes items 1, 9-11. If converting chair to Adjustable Angle Back Canes, item 29 (Back Cane Tube) must be ordered in addition to item 5.  
 D - Includes items 12-16  
 E - Includes items 21-22  
 F - Clear Coat Anodized is used on chairs with Sport Performance Package (p/n 1130626). See Miscellaneous Accessories for further details.  
 G - Used on chairs with Conventional Adj. Height and Swingaway Half Arms (AT99). Includes items 26-27.  
 H - Used on chairs with "T" Arms and chairs with "Less" Arms. Includes items 26 & 28.  
 I - Specify frame finish when ordering.  
 J - Used on all back canes except Adjustable Angle Back.  
 K - Used on Adjustable Angle Back Canes only.  
 L - Must order both Right and Left Brackets for one Back Cane if complete Mounting Bracket is needed.

# Back Canes, Back Tube Bracket, and Hardware

## #1 Back Canes

Back Cane Style	Description	Part Number
A1418	10 Degree Bend Cane w/ Push Handle 14-18" High	1094586 See Note(s) A
A1620	10 Degree Bend Cane w/ Push Handle 20" High	1094587 See Note(s) A
PH1216	Straight Cane w/ Push Handle 12-16" High	1094925 See Note(s) A
PH1418	Straight Cane w/ Push Handle 14-18" High	1094926 See Note(s) A
PH1620	Straight Cane w/ Push Handle 16-20" High	1130571 See Note(s) A
AAB1216 / AAB1720	Adjustable Angle Back Cane 12-16" & 17-20" High	1113533 See Note(s) B
BACK1014	Adjustable Height w/o Push Handle 10-14" High	1094588 See Note(s) C
BACK1216	Adjustable Height w/o Push Handle 12-16" High	1130561 See Note(s) C
BACK1418	Adjustable Height w/o Push Handle 14-18" High	1130564 See Note(s) C
BACK1620	Adjustable Height w/o Push Handle 16-20" High	1130567 See Note(s) C
NOTE: A - Includes Back Cane and items 2-4. B - Includes Back Cane and items 6-8. C - Includes Back Cane and items 17-19.		