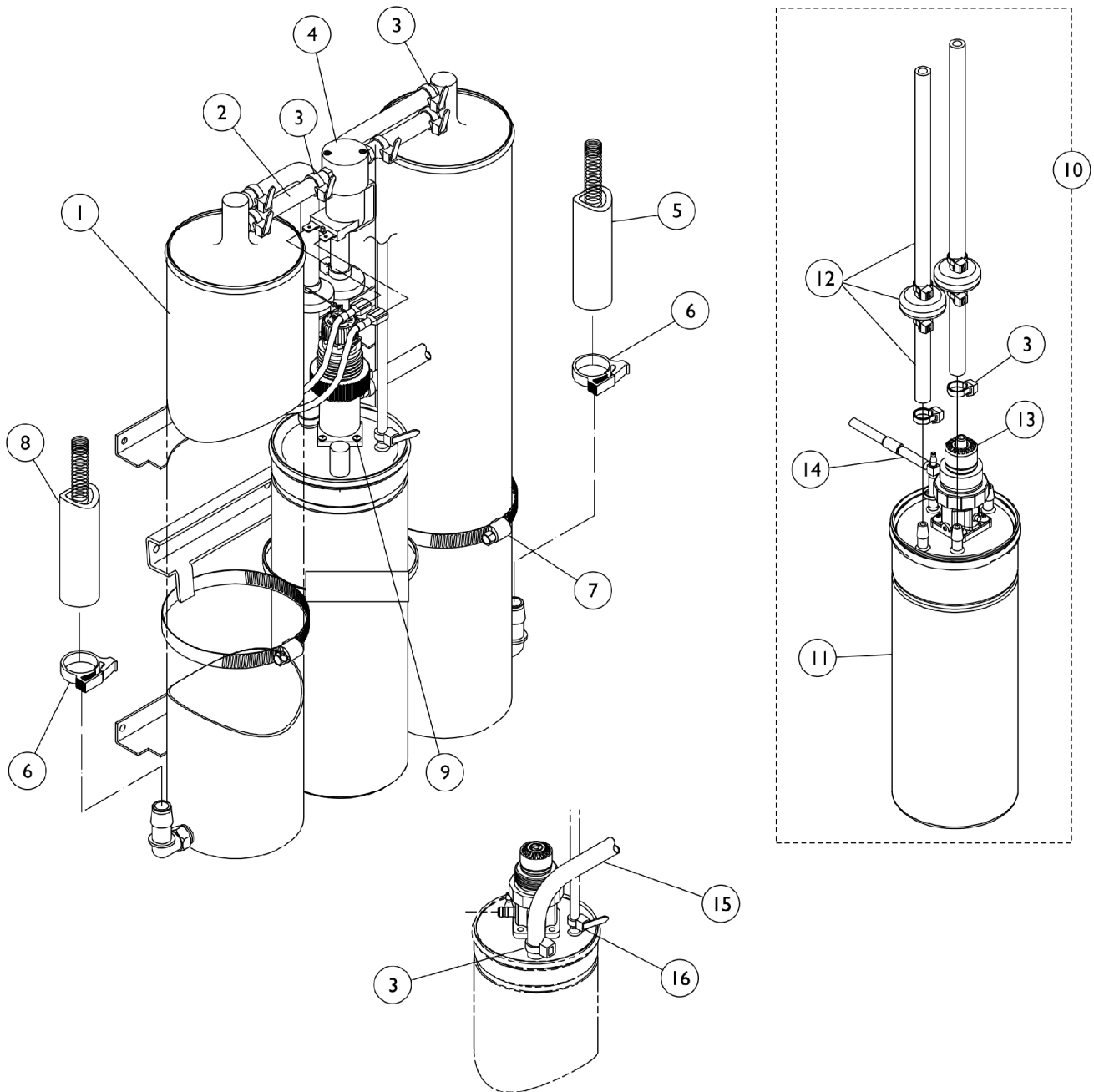


Sieve Bed Assembly and Product Tank

Platinum 10

NOTE: Item #11 Product Tank is no longer available as an individual part. Please refer to item #10 Product Tank Assembly.



Product Tank
Shown for Ref. Only

Sieve Bed Assembly and Product Tank

Platinum 10

NOTE: Item #11 Product Tank is no longer available as an individual part. Please refer to item #10 Product Tank Assembly.

Item Number	Note	Part Number	Description	Quantity Per	
				Package	Assembly
1	B	1144034	Kit, Sieve Beds (Pair)	1	1
			Sieve Bed Assembly - 10LX/10LXO2	1	2
			Tie Wrap (8" L)	1	4
			Clamp, Plastic (1/2")	1	2
			Clamp, Hose	1	2
2		1110774	Tubing, PVC (1/4 x 2-1/2")	1	2
3		2001682	Tie Wrap (8" L)	1	9
4	A	2001656	PE Valve Assembly w/ Fitting	1	1
5		1108783	Tubing, Braided (1/2 x 23")	1	1
6		2001652	Clamp, Plastic (1/2")	1	2
7		1002807	Clamp, Hose	1	2
8		1108784	Tubing, Braided (1/2 x 20-1/4")	1	1
9		1075666	Screw, Socket Button Head Cap, Regulator (8-32 x 3/8")	1	4
10	C	1132389	Product Tank Assembly - 10LX	1	1
10	C	1130675	Product Tank Assembly - 10LXO2	1	1
12		1104310	Kit, Check Valve	1	1
			Clamp, Hose	1	2
			Tie Wrap (3-29/32" L)	1	1
			Instruction Sheet	1	1
			Check Valve, Barb (5/16")	1	2
			Tie Wrap (8" L)	1	9
			Tube, Clear (1/4")	1	1
13	H,K	1130067-NLA	NLA - Regulator, Manifold Mount, 10L w/o O2 Bleed	1	1
13	I,J	1130066-NLA	NLA - Regulator, Manifold Mount, 10L w/ O2 Bleed	1	1
14	E,G	1116433	HomeFill Tubing Assembly	1	1
15		1108809	Tubing, PVC (1/4 x 12-3/4")	1	1
16		1070050	Tie Wrap (3-29/32" L)	1	1

NOTE: A - Includes Valve, Tubing and Tie Wraps.
 B - Includes Item #1 (2) Sieve Bed Assemblies, item #3 (4) Tie Wraps, item #6 (2) Plastic Clamps and item #7 (2) Hose Clamps
 C - Includes Product Tank, Check Valve Assembly, Tie Wraps and Homefill Tubing. Item #11 Product Tank is no longer available as an individual part.
 E - Includes Fitting, Restrictor, Hose, Filter and Tie Wraps.
 G - Due to design change the Homefill Tubing Assembly has changed from a 8-1/2" to a 18" Hose, with a removal of the fitting as well. The change is compatible with existing units.
 H - Regulator does not have an O2 bleed port
 I - Regulator does have an O2 bleed port
 J - No longer available as a service part, please use 1130675 as its replacement.
 K - No longer available as a service part, please use 1132389 as its replacement