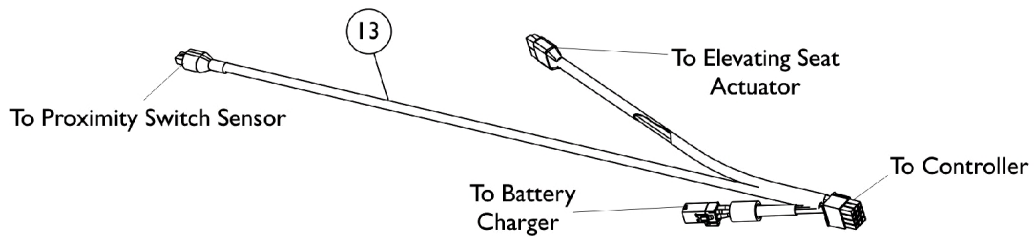
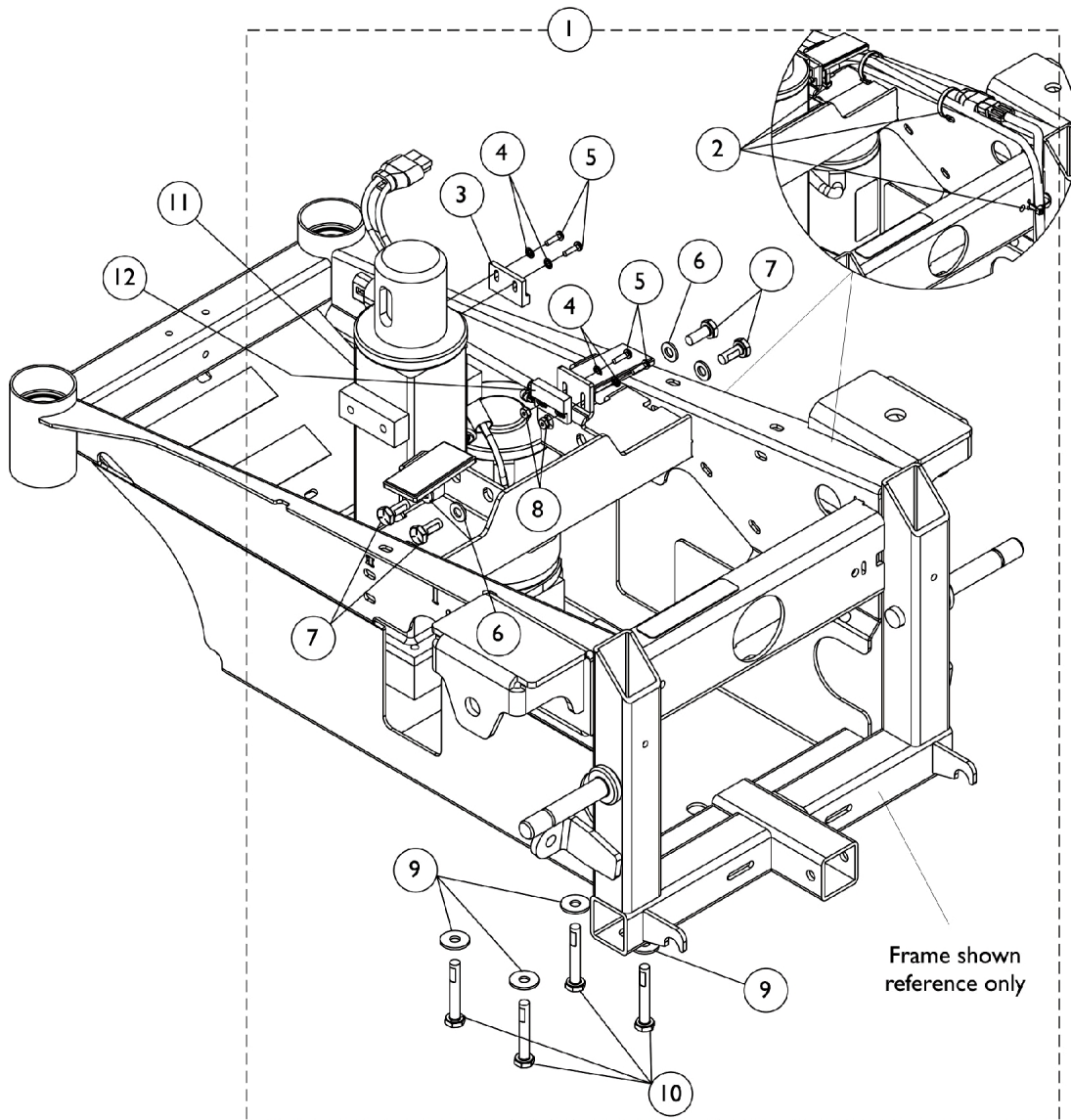


Elevating Seat Actuator, Proximity Sensor, and Hardware



Elevate Actuator and Battery Charger Harness

Elevating Seat Actuator, Proximity Sensor, and Hardware

| Item Number | Note | Part Number | Description | Quantity Per | |
|-------------|------|-------------|--|--------------|----------|
| | | | | Package | Assembly |
| 1 | A | 1127303-NLA | NLA - Kit, Elevating Actuator Hardware | 1 | 1 |
| 2 | | | Tie Wrap (5-5/8" L) | 1 | 4 |
| 3 | | | Sensor, Actuator Switch | 1 | 1 |
| 4 | | | NLA - Washer, Internal Tooth Lock (#4-40) | 1 | 4 |
| 5 | | | Screw, Phillips Pan Head (#4-40 x 7/16") | 1 | 4 |
| 6 | | | Washer (1/4 x 1/2 x 1/16") | 1 | 4 |
| 7 | | | Screw, Socket Head (1/4-20 x 5/8") | 1 | 4 |
| 8 | | | Nut, Hex Keps (#4-40) | 1 | 2 |
| 9 | | | Washer (1/4 x 23/32 x 1/16") | 1 | 4 |
| 10 | | | Screw, Hex Head w/ Patch (1/4-20 x 1-5/8") | 1 | 1 |
| 3 | | 1024001 | Sensor, Actuator Switch | 1 | 1 |
| 11 | | 1127262 | Actuator Motor, Elevating Pivot | 1 | 1 |
| 12 | | 1127290 | Sensor, Proximity Switch (7" L) | 1 | 1 |
| 13 | | 1127260 | Harness, Actuator Sensor and Battery Charger | 1 | 1 |

NOTE: A - Includes items 2-10