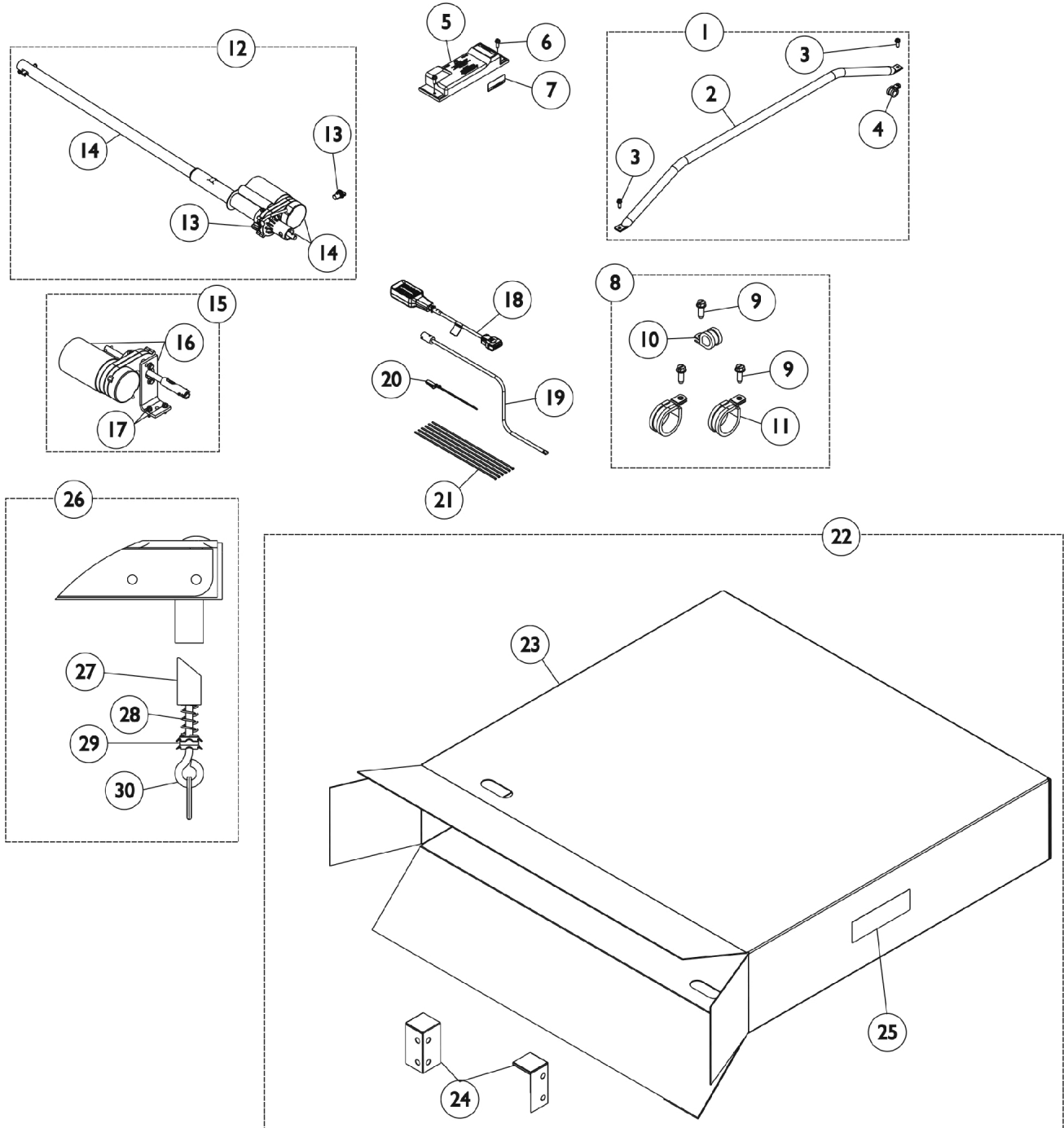


# Foot Spring - Full Electric (BAR5490IVC)

**NOTE:** Bed Ends with the "Woodgrain" finish are from the BAR600 group Manufactured "before 5/05."  
Bed Ends with the "Composite" finish are from the BAR600IVC group manufactured "after 2/05." Please  
check before ordering service parts.



## Foot Spring - Full Electric (BAR5490IVC)

**NOTE: Bed Ends with the "Woodgrain" finish are from the BAR600 group Manufactured "before 5/05."  
Bed Ends with the "Composite" finish are from the BAR600IVC group manufactured "after 2/05." Please  
check before ordering service parts.**

Item Number	Note	Part Number	Description	Quantity Per	
				Package	Assembly
1	A	1132527	Kit, Motor Guard Replacement - Foot End	1	1
2			Guard, Motor	1	1
3			Screw, Slotted Hex Head Tap (1/4-20 x 3/4")	1	2
4			Clamp, Cable, Steel (9/16")	1	1
5	I	1106398-NLA	NLA - Control/Junction Box, Full Electric, (6 Function)	1	1
5		1104343	Kit, Control/Junction Box, Full Electric, (6 Function) - US / Canadian Models, Low Voltage Square Plug	1	1
6		54000M515	Screw, Slotted Hex Head Tap (1/4-20 x 3/4")	1	2
7		1108103	Label, Warning, Control/Junction Box	1	1
8	B	1132529	Kit, Cable Clamp w/ Hardware, Both Head and Foot Ends	1	1
9			Screw, Slotted Hex Head Tap (1/4-20 x 3/4")	1	5
10			Clamp, Cable, Steel (9/16")	1	2
11			Clamp, Cable, Steel (9/16")	1	3
12	C	1132532-NLA	NLA - Kit, Foot Motor Assembly	1	1
13			Mount, Motor	1	2
14			Motor, Foot with Pull Tube and Hardware	1	1
13		5300M054	Mount, Motor	1	1
14		5600M008	Motor, Foot with Pull Tube and Hardware	1	1
15	D	1132750	Kit, Hi/Lo Motor Assembly	1	1
16			Motor, Hi/Lo with Bracket	1	1
17			Screw, Slotted Hex Head Tap (1/4-20 x 3/4")	1	1
		51000M533	Bracket, Hi-Lo Motor	1	1
18		7001M297	Pendant, Full Electric, 6 Channel	1	1
19		5880M004	Crank, Emergency, Dark Brown	1	1
20	H	54000M441	Clip, Pendant	1	1
	G	52000M316-NLA	NLA - Kit, Pendant Clip w/ Instruction Sheet	1	1
21		51000M562-NLA	NLA - Tie Wrap	1	6
22	E	1132540	Kit, Packaging - Foot End	1	1
23			Carton, Footspring	1	1
24			Pad, Corner	1	2
25			Label, Blank Carton	1	1
26	F	1132530	Kit, Locking Mechanism - Foot End	1	1
27			Pin, Locking	1	2
28			Spring, Compression (31/64 x 7/8 x 1/8")	1	2
29			Clip, Retaining	1	2
30			Eyebolt with Split Ring (#10-24 x 2")	1	2
	G	1125306	Connector, Crossover	1	1
	G	026874	Cord, Power	1	1

## Foot Spring - Full Electric (BAR5490IVC)

**NOTE: Bed Ends with the "Woodgrain" finish are from the BAR600 group Manufactured "before 5/05."  
Bed Ends with the "Composite" finish are from the BAR600IVC group manufactured "after 2/05." Please  
check before ordering service parts.**

NOTE: A - Includes: Items 2-4  
B - Includes: Items 9-11  
C - Includes: Items 13-14. Kit Part Number NLA. Order items 13 and 14 individually.  
D - Includes: Items 16-17  
E - Includes: Items 23-25  
F - Includes: Items 27-30  
G - Not shown  
H - An instruction sheet for the Pendant Clips (Part. No. 54000M181) is available to download at [invacare.com](http://invacare.com) under "Product Literature Search" link.  
I - No longer available. See part #1104343 as its replacement. Includes the Control/Junction Box and Installation Instructions.