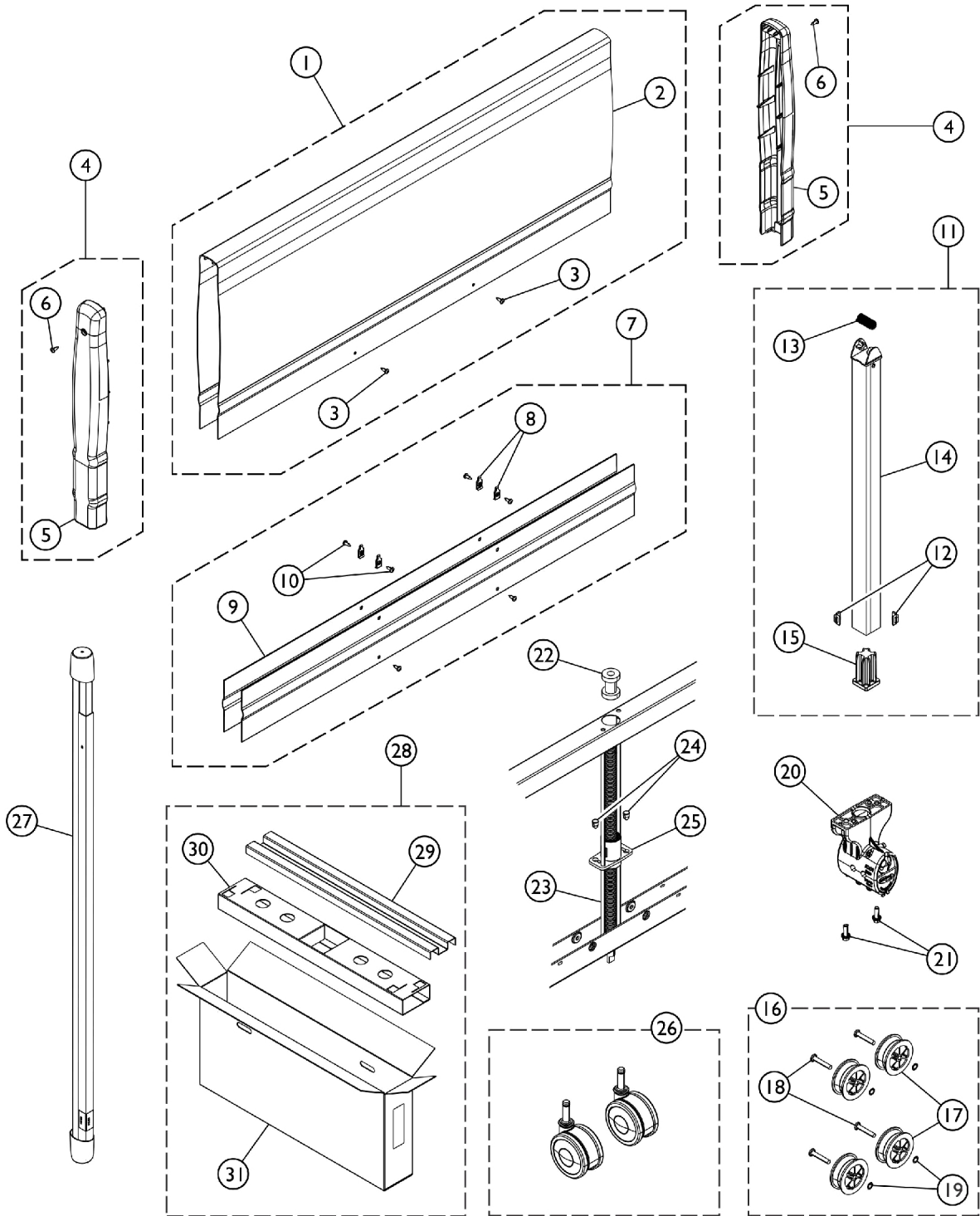


Bed Ends - Full Electric (5301LOW)



Bed Ends - Full Electric (5301LOW)

Item Number	Note	Part Number	Description	Quantity Per	
				Package	Assembly
1	B,J	1132557-NLA	NLA - Kit, Panel Replacement - Low Bed End	1	1
2			Cover, Bed End	1	1
3			NLA - Screw, Phillips Pan Head (#8-18 x 1/2")	1	4
			NLA - Label, Warning	1	1
		1125101-NLA	NLA - Label, Warning	1	1
2		1112670	Cover, Bed End	1	1
3		1115571-NLA	NLA - Screw, Phillips Pan Head (#8-18 x 1/2")	1	4
4	C	1132556	Kit, End Cap - Low End Bed	1	1
5			Cap, Bed End	1	2
6			NLA - Screw, Phillips Pan Head (#8-18 x 1/2")	1	2
7	D	1132558	Kit, Lower Panel Replacement - Low Bed Ends	1	1
8			NLA - Nut, Self-Retaining	1	6
9			Cover, Low Bed End - Lower	1	2
10			NLA - Screw, Phillips Pan Head (#8-18 x 1/2")	1	4
11	E	1132554-NLA	NLA - Kit, Leg Assembly - Low Bed End	1	1
12			Guide, Leg	1	2
13			Spring, Leg Retaining	1	1
14			Inner Leg Assembly	1	1
15			Socket, Caster	1	1
16	F	1132555	Kit, Pulley Replacement - Low End Bed	1	1
17			Pulley, Cable	1	4
18			Rivet (1/4 x 1-7/16")	1	4
19			Ring, Retaining	1	4
20	O	1182495	Kit, Gearbox w/ Hardware	1	1
21		54000M497	Screw, Hex Head (1/4-20 x 3/4")	1	2
22		51000M589	Bearing, Sleeve	1	1
23		1129695-NLA	NLA - Guide, Foot Rod	1	2
24		54000M780	Plug, Push In	1	2
25		1129698-NLA	NLA - Acme Screw Assembly	1	1
26	N	1123550	Package, Caster (2-w/o Brake; 2-w/ Brake)	1	1
		1123549	Caster Assembly, Swivel w/o Brake (3")	1	2
		1123551	Caster Assembly, Swivel w/ Brake (3")	1	2
27		7000M585	Drive Shaft Assembly (80")	1	1
28	I,L	1132584	Kit, Packaging - Low Bed Ends	1	1
29			Insert, Bed End	1	1
30			NLA - Insert, Bed End Packaging	1	1
31			NLA - Carton, Bed End	1	1
			NLA - Bag, Poly	1	1
	A	1132559	Kit, Leg Guides	1	1
			Guide, Leg	1	4
	A	1132560	Kit, Caster Sockets	1	1
			Socket, Caster	1	4
	A	1130173-NLA	NLA - Owner's Manual, Low Bed	1	1

Bed Ends - Full Electric (5301LOW)

NOTE: A - Not Shown
B - Includes: Items 2, 3, and Warning Label (not shown).
C - Includes: Items 5 & 6
D - Includes: Items 8-10
E - Includes: Items 12-15
F - Includes: Items 17-19
I - The Warning Label is Not Shown
J - The Poly Bag is Not Shown
L - Includes Non- Locking Casters (2) and Locking Casters (2).
N - Must order Item 7 (1132558) when ordering replacement parts.
O - Includes: Gearbox and item #21