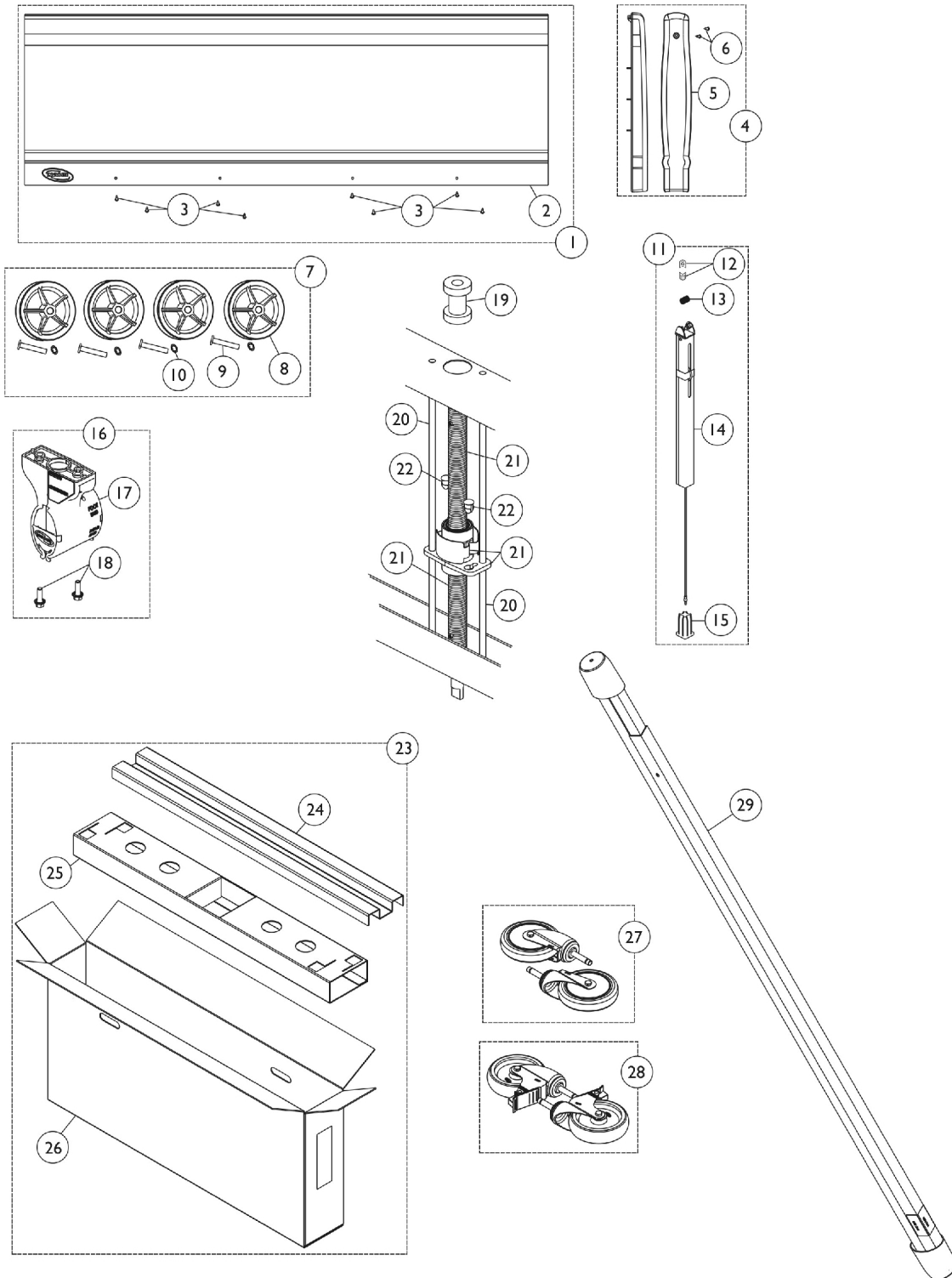


# Bed Ends - Full Electric BAR5301IVC

**NOTE:** Bed Ends with the "Woodgrain" finish are from the BAR600 group Manufactured "before 5/05."  
Bed Ends with the "Composite" finish are from the BAR600IVC group manufactured "after 2/05." Please  
check before ordering service parts.



# Bed Ends - Full Electric BAR5301IVC

**NOTE: Bed Ends with the "Woodgrain" finish are from the BAR600 group Manufactured "before 5/05."  
Bed Ends with the "Composite" finish are from the BAR600IVC group manufactured "after 2/05." Please  
check before ordering service parts.**

Item Number	Note	Part Number	Description	Quantity Per	
				Package	Assembly
1	A	1132537	Kit, Panel Replacement	1	1
2			Cover, Bed End Panel	1	1
3			Screw, Phillips Pan Head (#8-18 x 1/2")	1	8
4	B	1132536	Kit, Bed End Cap	1	1
5			Cap, Bed End	1	2
6			Screw, Phillips Pan Head (#8-18 x 1/2")	1	2
7	C	1132534-NLA	NLA - Kit, Pulley Replacement	1	1
8			Pulley, Cable	1	4
9			Rivet (1/4 x 1-7/16")	1	4
10			Ring, Retaining	1	4
11	D	1132533-NLA	NLA - Kit, Leg Assembly - Bed End	1	1
12			Guide, Leg	1	4
13			Spring, Leg Retaining	1	1
14			Inner Leg Assembly	1	1
15			Socket, Caster	1	1
16	E,J	1132535	Kit, Gear Box Housing Assembly (Zinc)	1	1
17			Gearbox Assembly (Zinc)	1	1
18			Screw, Hex Head (1/4-20 x 3/4")	1	2
19		51000M589	Bearing, Sleeve	1	1
20		51000M075	Rod, Guide, Foot End, Short	1	2
21		1115284	Bracket, Screw	1	1
22		54000M780	Plug, Push In	1	2
23	F,G	1132538-NLA	NLA - Kit, Packaging - Bed End	1	1
24			Insert, Carton, Top	1	1
25			Insert, Carton, Bottom	1	1
26			Carton, Shipper	1	1
			Bag, Poly	1	1
			Label, Blank Carton	1	1
27		1110430	Caster Assembly, Swivel (5") (Pair)	2	1
28		1110431	Caster Assembly, Swivel w/ Brake (5") (Pair)	2	1
29		7000M585	Drive Shaft Assembly (80")	1	1
	I	1123842	Owner's Manual, Bariatric IVC Bed	1	1

NOTE: A - Includes: Items 2-3  
 B - Includes: Items 5-6  
 C - Includes: Items 8-10  
 D - Includes: Items 12-15  
 E - Includes: Items 17-18  
 F - Includes: Items 24-26 and the items Not Shown  
 G - The Poly Bag and the Blank Carton Label are Not Shown  
 I - Not Shown  
 J - All service parts Gearbox Housing and/or Hand Crank Gears (not the handle) are Zinc