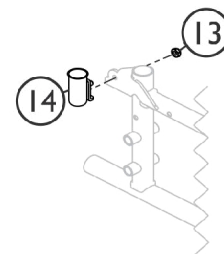
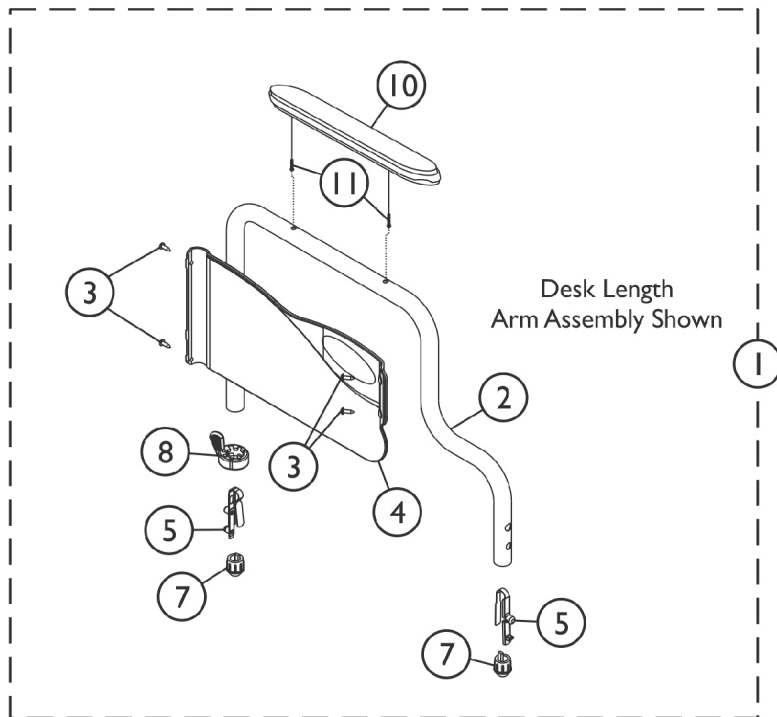
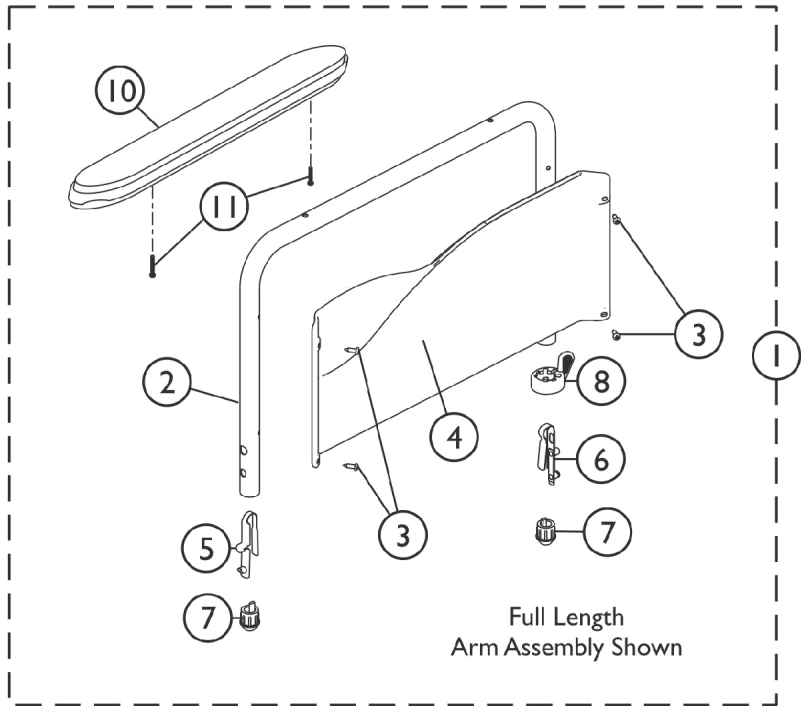
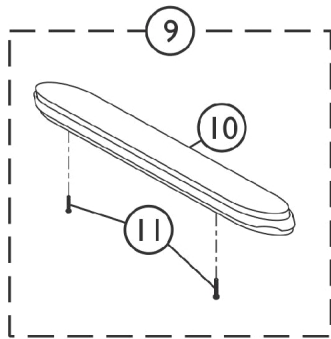


Conventional Fixed Height Arm Assembly - Black Finish - SX5RC/GVTRSX5



SSM_015A

Conventional Fixed Height Arm Assembly - Black Finish - SX5RC/GVTRSX5

Item Number	Note	Part Number	Description	Quantity Per	
				Package	Assembly
1	A	8881127474	Kit, Armrest, Desk Length, Black - Right (Style 28)	1	1
2			Tube, Armrest, Desk Length, Black - Right	1	1
3			Screw, Self Tapping (#6-20 x 1/2")	1	4
4			NLA - Guard, Clothing, Desk Length - Right	1	1
5			Spring, Torsion w/ Button Lock	1	1
6			Spring, Torsion with Button Lock	1	1
7			Plug Button, Arm Tube, Black (3/4")	1	2
8			Handle, Quad Release	1	1
10			NLA - Arm Pad, Desk Length w/ Law Label	1	1
11			Package, Screw Phillips Pan Head (#10-32 x 1-1/8")	1	2
1	A	8881127473	Kit, Armrest, Desk Length, Black - Left (Style 28)	1	1
2			Tube, Armrest, Desk Length, Black - Left	1	1
3			Screw, Self Tapping (#6-20 x 1/2")	1	4
4			NLA - Guard, Clothing, Desk Length - Left	1	1
5			Spring, Torsion w/ Button Lock	1	1
6			Spring, Torsion with Button Lock	1	1
7			Plug Button, Arm Tube, Black (3/4")	1	2
8			Handle, Quad Release	1	1
10			NLA - Arm Pad, Desk Length w/ Law Label	1	1
11			Package, Screw Phillips Pan Head (#10-32 x 1-1/8")	1	2
1	A	8881127469	Kit, Armrest, Full Length, Black - Right (Style 18)	1	1
2			Tube, Armrest, Full Length, Black - Right	1	1
3			Screw, Self Tapping (#6-20 x 1/2")	1	4
4			Guard, Clothing, Full Length - Right	1	1
5			Spring, Torsion w/ Button Lock	1	1
6			Spring, Torsion with Button Lock	1	1
7			Plug Button, Arm Tube, Black (3/4")	1	2
8			Handle, Quad Release	1	1
10			NLA - Pad, Arm, Full Length w/ Law Label	1	1
11			Package, Screw Phillips Pan Head (#10-32 x 1-1/8")	1	2
1	A	8881127467	Kit, Armrest, Full Length, Black - Left (Style 18)	1	1
2			Tube, Armrest, Full Length, Black - Left	1	1
3			Screw, Self Tapping (#6-20 x 1/2")	1	4
4			Guard, Clothing, Full Length - Left	1	1
5			Spring, Torsion w/ Button Lock	1	1
6			Spring, Torsion with Button Lock	1	1
7			Plug Button, Arm Tube, Black (3/4")	1	2
8			Handle, Quad Release	1	1
10			NLA - Pad, Arm, Full Length w/ Law Label	1	1
11			Package, Screw Phillips Pan Head (#10-32 x 1-1/8")	1	2
9	B	8881127509	Kit, Arm Pad w/Screws - Full Length	1	1
10			NLA - Pad, Arm, Full Length w/ Law Label	1	1
11			Package, Screw Phillips Pan Head (#10-32 x 1-1/8")	1	2
9	B	8881127510	Kit, Arm Pad w/Screws - Desk Length	1	1
10			NLA - Arm Pad, Desk Length w/ Law Label	1	1
11			Package, Screw Phillips Pan Head (#10-32 x 1-1/8")	1	2

Conventional Fixed Height Arm Assembly - Black Finish - SX5RC/GVTRSX5

Item Number	Note	Part Number	Description	Quantity Per	
				Package	Assembly
12	F	1110098	NLA - Socket, Arm Cup, Chrome - Right	1	1
12	F	1110099	NLA - Socket, Arm Cup, Chrome - Left	1	1
13		60275X000	Locknut (1/4-20)	1	1
	C,G	1110100	Kit, Rear Socket Non-Flip Back Arm Hardware, Color (Pair)	1	1
			Socket, Arm Cup, Color - Right	1	1
			Socket, Arm Cup, Color - Left	1	1
			Locknut (1/4-20)	1	2
	C	1041061	Pad, Arm, Upper/Lower, Black Plastic, Full Length	1	1
	C	1041062	Pad, Arm, Upper/Lower, Black Plastic, Desk Length	1	1
	C	1044845	Package, Screw, Phillips Pan Head (#10-32 x 1-3/8")	1	2
	C,E	1110285	Guard, Clothing, Desk Length - Right	1	1
	C,E	1110286	Guard, Clothing, Desk Length - Left	1	1
	C,E	1110287	Guard, Clothing, Full Length - Right	1	1
	C,E	1110288	Guard, Clothing, Full Length - Left	1	1
	C	1117365	Kit, Clothing Guard, Conventional, Desk Length w/ Screws and Decals (Pair)	1	1
	C	1117366	Kit, Clothing Guards - Conventional, Full Length w/ Screws & Decals	1	1

NOTE: A - Includes items 2-11.
B - Includes items 10 and 11.
C - Not Shown.
E - Includes clothing guard and decal only. Replacement hardware listed within kits.
F - Chrome Arm Cup Sockets are No Longer Available. Order part #1110100 as a replacement. The color will be 71P Silver Vein.
G - Before 4/12/13, kit came with chrome Arm Cup Sockets. After 4/11/13 kit comes with 71P Silver Vein color Arm Cup Sockets.