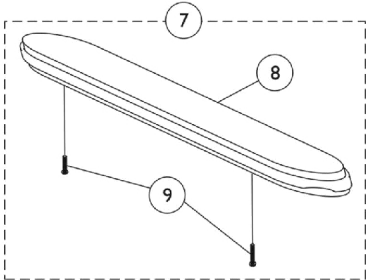
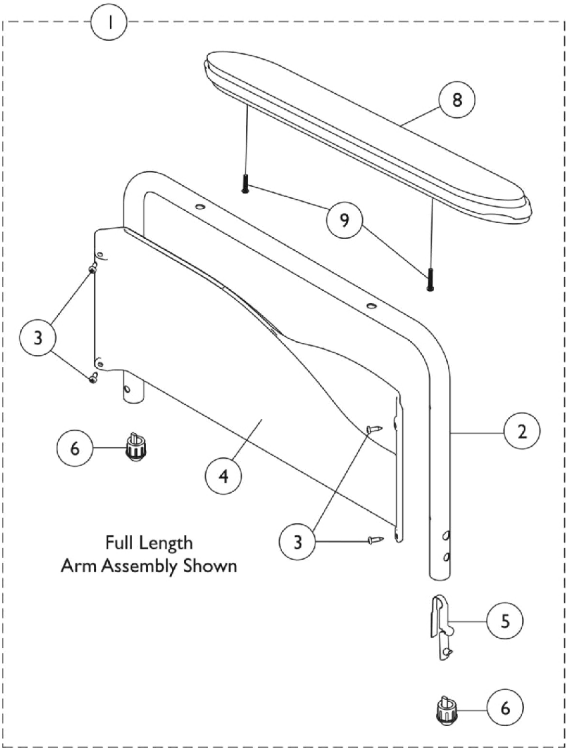
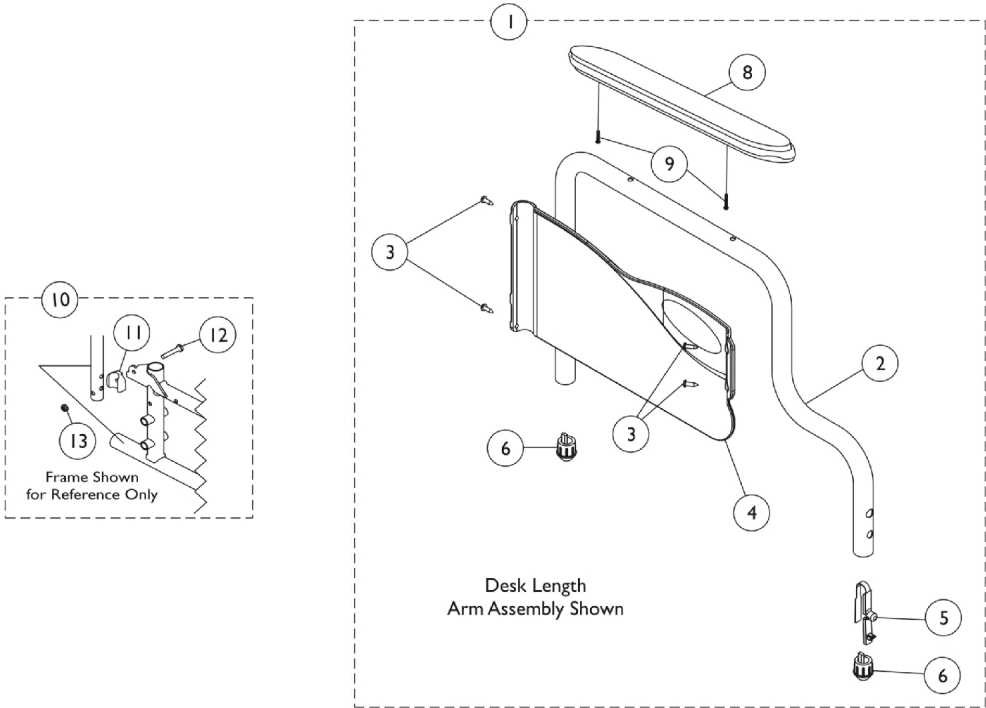


# Conventional Fixed Height Arm Assembly - Black Finish - SX5



# Conventional Fixed Height Arm Assembly - Black Finish - SX5

Item Number	Note	Part Number	Description	Quantity Per	
				Package	Assembly
1	A	8881127465	Kit, Armrest, Desk Length, Black - Right (Style 28FB)	1	1
2			Tube, Armrest, Desk Length, Black - Right	1	1
3			Screw, Self Tapping (#6-20 x 1/2")	1	4
4			NLA - Guard, Clothing, Desk Length - Right	1	1
5			Spring, Torsion w/ Button Lock	1	1
6			Plug, Armrest, Black (3/4") (18GA)	1	2
8			NLA - Arm Pad, Desk Length w/ Law Label	1	1
9			Package, Screw Phillips Pan Head (#10-32 x 1-1/8")	1	1
1	A	8881127464	Kit, Armrest, Desk Length, Black - Left (Style 28FB)	1	1
2			Tube, Armrest, Desk Length, Black - Left	1	1
3			Screw, Self Tapping (#6-20 x 1/2")	1	4
4			NLA - Guard, Clothing, Desk Length - Left	1	1
5			Spring, Torsion w/ Button Lock	1	1
6			Plug, Armrest, Black (3/4") (18GA)	1	2
8			NLA - Arm Pad, Desk Length w/ Law Label	1	1
9			Package, Screw Phillips Pan Head (#10-32 x 1-1/8")	1	2
1	A	8881127468	Kit, Armrest, Full Length, Black - Right (Style 18FB)	1	1
2			Tube, Armrest, Full Length, Black - Right	1	1
3			Screw, Self Tapping (#6-20 x 1/2")	1	4
4			Guard, Clothing, Full Length - Right	1	1
5			Spring, Torsion w/ Button Lock	1	1
6			Plug, Armrest, Black (3/4") (18GA)	1	2
8			NLA - Pad, Arm, Full Length w/ Law Label	1	1
9			Package, Screw Phillips Pan Head (#10-32 x 1-1/8")	1	2
1	A	8881127466	Kit, Armrest, Full Length, Black - Left (Style 18FB)	1	1
2			Tube, Armrest, Full Length, Black - Left	1	1
3			Screw, Self Tapping (#6-20 x 1/2")	1	4
4			Guard, Clothing, Full Length - Left	1	1
5			Spring, Torsion w/ Button Lock	1	1
6			Plug, Armrest, Black (3/4") (18GA)	1	2
8			NLA - Pad, Arm, Full Length w/ Law Label	1	1
9			Package, Screw Phillips Pan Head (#10-32 x 1-1/8")	1	2
7	B	8881127510	Kit, Arm Pad w/Screws - Desk Length	1	1
8			NLA - Arm Pad, Desk Length w/ Law Label	1	1
9			Package, Screw Phillips Pan Head (#10-32 x 1-1/8")	1	2
7	B	8881127509	Kit, Arm Pad w/Screws - Full Length	1	1
8			NLA - Pad, Arm, Full Length w/ Law Label	1	1
9			Package, Screw Phillips Pan Head (#10-32 x 1-1/8")	1	2
	C	1041061	Pad, Arm, Upper/Lower, Black Plastic, Full Length	1	1
	C	1041062	Pad, Arm, Upper/Lower, Black Plastic, Desk Length	1	1
	C	1044845	Package, Screw, Phillips Pan Head (#10-32 x 1-3/8")	1	1
10	D	1110058	Hardware Kit, Arm Flip Back (Pair)	1	1
11			Spacer, Arm	1	2
12			NLA - Screw, Hex Head (1/4-20 x 1-3/8")	1	2

# Conventional Fixed Height Arm Assembly - Black Finish - SX5

Item Number	Note	Part Number	Description	Quantity Per	
				Package	Assembly
13			Locknut (1/4-20)	1	2
	C,E	1110285	Guard, Clothing, Desk Length - Right	1	1
	C,E	1110286	Guard, Clothing, Desk Length - Left	1	1
	C,E	1110287	Guard, Clothing, Full Length - Right	1	1
	C,E	1110288	Guard, Clothing, Full Length - Left	1	1
	C	1117365	Kit, Clothing Guard, Conventional, Desk Length w/ Screws and Decals (Pair)	1	1
	C	1117366	Kit, Clothing Guards - Conventional, Full Length w/ Screws & Decals	1	1
NOTE: A - Includes items 2-9. B - Includes items 8 and 9. C - Not Shown. D - Includes items 11, 12, and 13. E - Includes clothing guard and decal only. Replacement hardware listed within kits.					