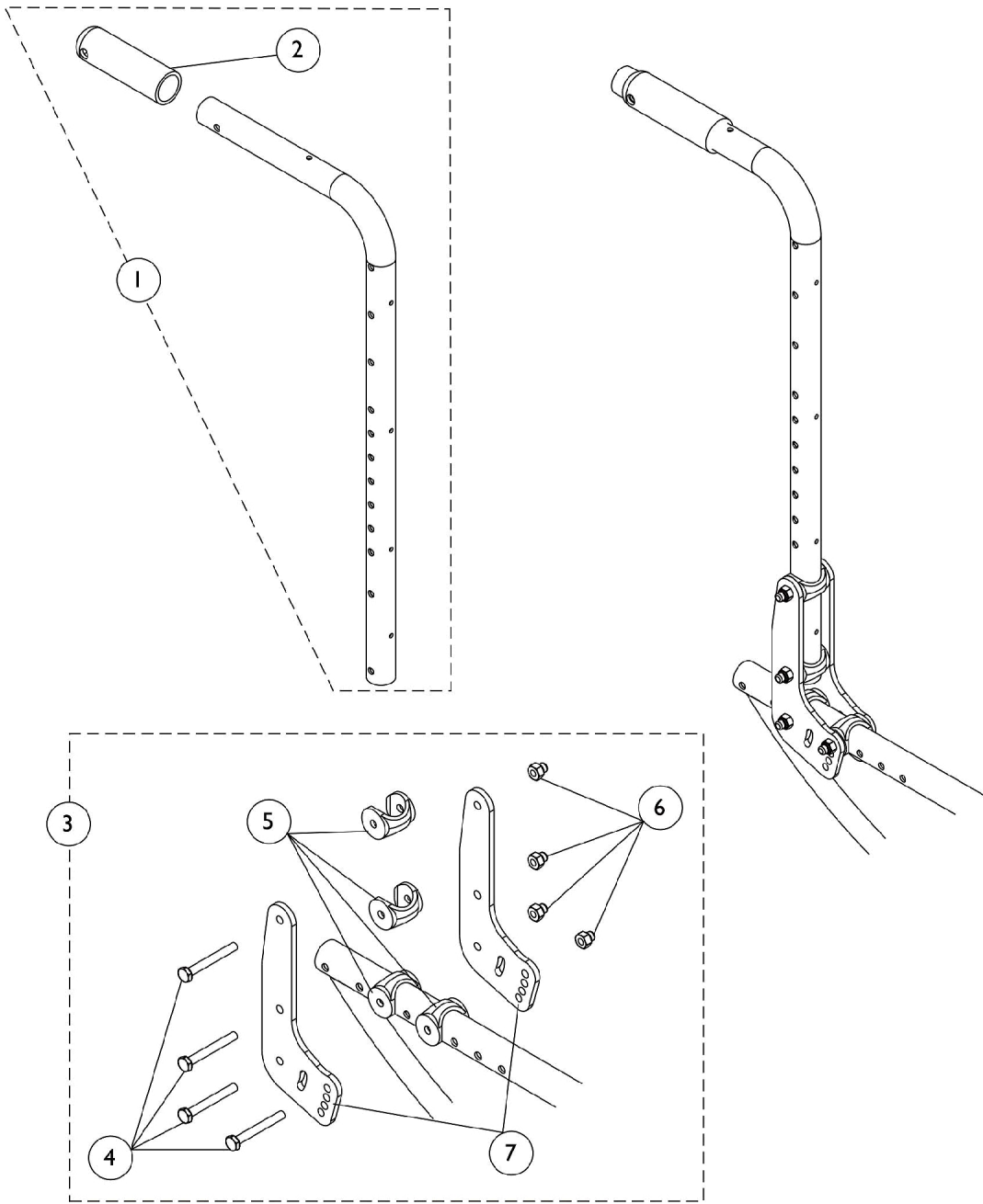


Fixed Back Canes and Attaching Hardware



Fixed Back Canes and Attaching Hardware

Item Number	Note	Part Number	Description	Quantity Per	
				Package	Assembly
1	A	1127685	Back Cane Assembly, Black - Right/Left (20" H)	1	2
1	A	1127686	Back Cane Assembly, Black - Right/Left (24" H)	1	2
2		1055398	Grip, Hand, Foam (4")	1	2
3	B	1131323	Kit, Back Cane Attaching Hardware	1	1
4			Screw, Hex Head (1/4-28 x 2")	1	4
5			Uni-Washer, Coved	1	4
6			Nut, Hex (1/4-28)	1	4
7			Plate, Back	1	2

NOTE: A - Includes back cane and item 2 (handgrip)
 B - Includes items 4-7