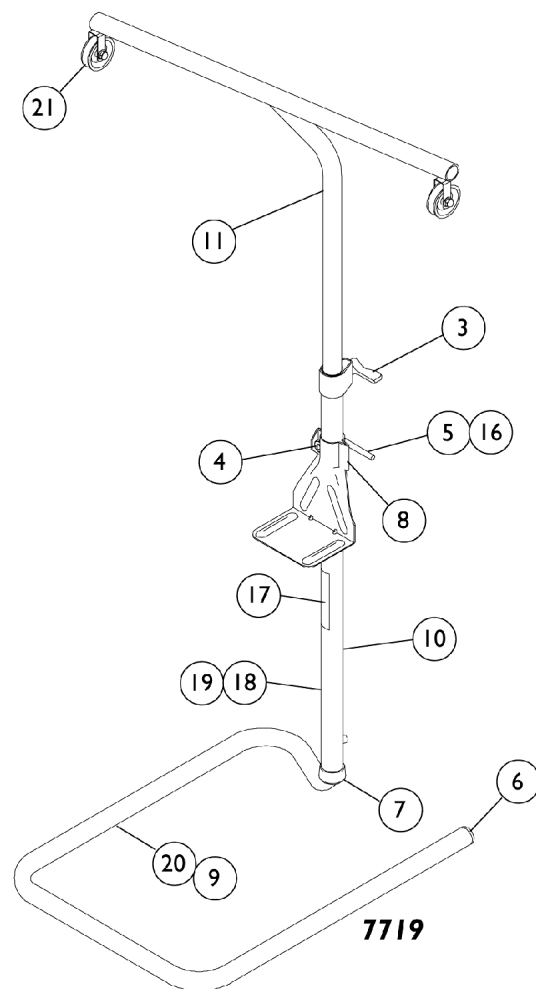
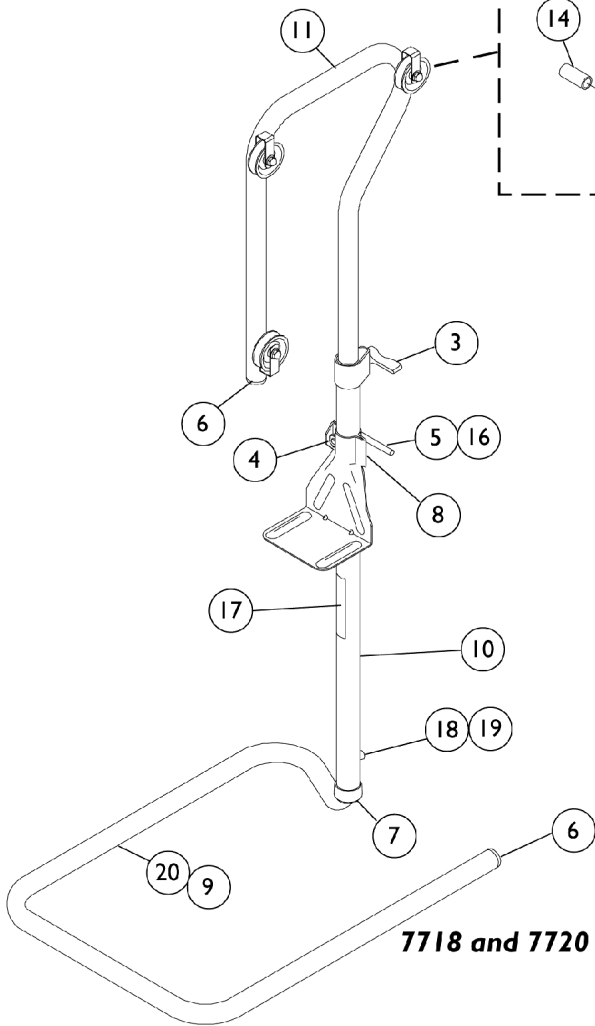
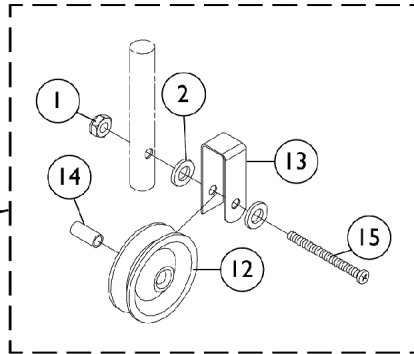


Traction Stands

Model 7718 Extra Height Offset

Model 7720 Offset

Model 7719 Double Pulley



Traction Stands

Item Number	Note	Part Number	Description	Quantity Per	
				Package	Assembly
1		10011X000-NLA	NLA - Nut, Cap (#10-24)	1	3
2		10514X001	Washer, Locking Split (#10)	1	6
3		12592X000-NLA	NLA - Adjustment Lock Assembly, Chrome	1	1
4		12995X001-NLA	NLA - Nut, Hex Jam (1/4-28)	1	1
5		15320X000-NLA	NLA - Handle	1	1
6	A	1027096	Plug Button, Grey (7/8")	1	2
7		16803X004-NLA	NLA - Anti-Rattle	1	1
8	B	17516X000-NLA	NLA - Traction Stand Clamp Assembly	1	1
9	C	1014163-NLA	NLA - Traction Stand Base Assembly	1	1
10		17531X000-NLA	NLA - Stem, Lower - 7718	1	1
10		17530X000-NLA	NLA - Stem, Lower - 7719 and 7720	1	1
11		17535X000-NLA	NLA - Stem, Upper - 7718	1	1
11		17554X000-NLA	NLA - Stem, Upper - 7719	1	1
11		17562X000-NLA	NLA - Stem Upper - 7720	1	1
12	D	See Note	See Footnote	1	3
13		17557X000	Bracket, "U"	1	3
14		17558X000	Bushing, Pulley	1	3
15		17564X000-NLA	NLA - Screw, Phillips Pan Head (#10-24 x 1-3/4")	1	3
16		40157X009-NLA	NLA - Washer, Steel (9/32" x 1/2" x 1/16")	1	1
17		1095497	Decal, Invacare Logo (1.6)	1	1
18		40188X005-NLA	NLA - Spring, Torsion	1	1
19		48806X011-NLA	NLA - Button, Snap	1	1
20		1013064-NLA	NLA - Base, Traction Stand	1	1
21		17130X000-NLA	NLA -Pulley, Swivel	1	2

NOTE: A - Model 7719 requires 1 per assembly.
 B - Includes Items 4, 5 and 8.
 C - Includes Items 6 and 18-20.
 D - Part is no longer serviceable in the field.