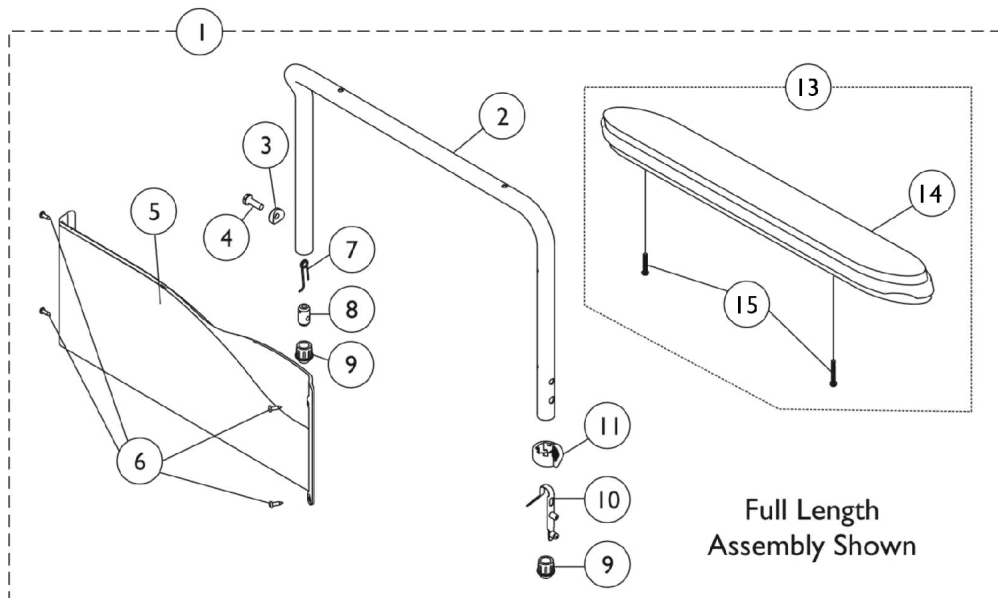
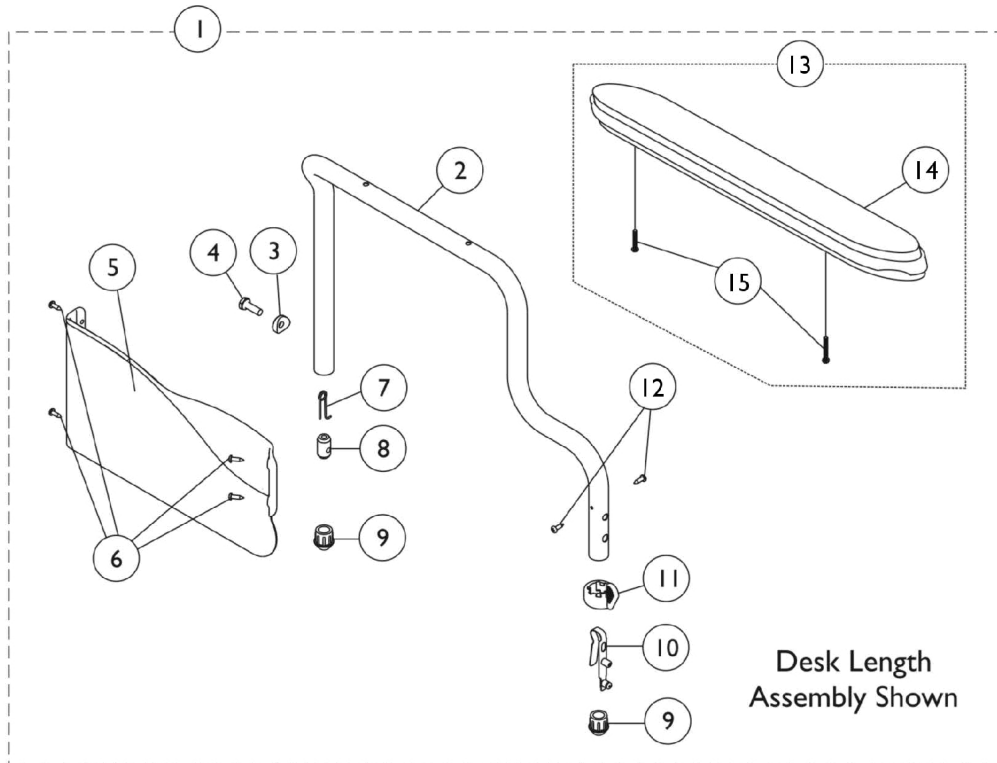


9000XT & 9000XDT Non-Removable Space Saver Fixed Height Arms



9000XT & 9000XDT Non-Removable Space Saver Fixed Height Arms

Item Number	Note	Part Number	Description	Quantity Per	
				Package	Assembly
1	A,B,E	8881130836	Kit, Armrest, Desk Length, Black - Right (Style 88)	1	1
2			Tube, Armrest, Spacer Saver, Desk, Black - Right	1	1
3			Spacer, Coved (1/4 x 11/16 x 1/2")	1	1
4			NLA - Bolt, Hex Head Cap (1/4-20 x 3/4")	1	1
5			Guard, Clothing, Desk Length - Right	1	1
6			Screw, Self Tapping (#6-20 x 1/2")	1	4
7			Spring, Release	1	1
8			Insert, Threaded	1	1
9			Plug, Armrest, Black (3/4") (18GA)	1	2
10			Spring, Torsion with Button Lock	1	1
11			Handle, Quad Release	1	1
12			Screw, Phillips Pan Head Tap (#6-20 x 3/8")	1	2
14			Arm Pad, Desk Length w/ Law Label	1	1
15			Package, Screw Phillips Pan Head (#10-32 x 1-1/8")	1	2
5			A,B,E	1115269	Guard, Clothing, Desk Length - Right
6	1116900	Screw, Self Tapping (#6-20 x 1/2")		1	4
1	8881130837	Kit, Armrest, Desk Length, Black - Left (Style 88)		1	1
2		Tube, Armrest, Spacer Saver, Desk, Black - Left		1	1
3		Spacer, Coved (1/4 x 11/16 x 1/2")		1	1
4		NLA - Bolt, Hex Head Cap (1/4-20 x 3/4")		1	1
5		Guard, Clothing, Desk Length - Left		1	1
6		Screw, Self Tapping (#6-20 x 1/2")		1	4
7		Spring, Release		1	1
8		Insert, Threaded		1	1
9		Plug, Armrest, Black (3/4") (18GA)		1	2
10		Spring, Torsion with Button Lock		1	1
11		Handle, Quad Release		1	1
12		Screw, Phillips Pan Head Tap (#6-20 x 3/8")		1	2
14		Arm Pad, Desk Length w/ Law Label		1	1
15		Package, Screw Phillips Pan Head (#10-32 x 1-1/8")	1	2	
5		A,D,F	1115270	Guard, Clothing, Desk Length - Left	1
6	1116900		Screw, Self Tapping (#6-20 x 1/2")	1	4
1	8881137333		Kit, Armrest, Desk Length, Color - Right (Style 88)	1	1
2			Tube, Armrest, Desk Length, Color - Right	1	1
3			Spacer, Coved (1/4 x 11/16 x 1/2")	1	1
4			NLA - Bolt, Hex Head Cap (1/4-20 x 3/4")	1	1
5			Guard, Clothing, Desk Length - Right	1	1
6			Screw, Self Tapping (#6-20 x 1/2")	1	4
7			Spring, Release	1	1
8			Insert, Threaded	1	1
9			Plug, Armrest, Black (3/4") (18GA)	1	2
10			Spring, Torsion with Button Lock	1	1
11			Handle, Quad Release	1	1
12			Screw, Phillips Pan Head Tap (#6-20 x 3/8")	1	2
14			Arm Pad, Desk Length w/ Law Label	1	1
15		Package, Screw Phillips Pan Head (#10-32 x 1-1/8")	1	2	

9000XT & 9000XDT Non-Removable Space Saver Fixed Height Arms

Item Number	Note	Part Number	Description	Quantity Per	
				Package	Assembly
5		1115269	Guard, Clothing, Desk Length - Right	1	1
6		1116900	Screw, Self Tapping (#6-20 x 1/2")	1	4
1	A,D,F	8881137334	Kit, Armrest, Desk Length, Color - Left (Style 88)	1	1
2			Tube, Armrest, Desk Length, Color - Left	1	1
3			Spacer, Coved (1/4 x 11/16 x 1/2")	1	1
4			NLA - Bolt, Hex Head Cap (1/4-20 x 3/4")	1	1
5			Guard, Clothing, Desk Length - Left	1	1
6			Screw, Self Tapping (#6-20 x 1/2")	1	4
7			Spring, Release	1	1
8			Insert, Threaded	1	1
9			Plug, Armrest, Black (3/4") (18GA)	1	2
10			Spring, Torsion with Button Lock	1	1
11			Handle, Quad Release	1	1
12			Screw, Phillips Pan Head Tap (#6-20 x 3/8")	1	2
14			Arm Pad, Desk Length w/ Law Label	1	1
15			Package, Screw Phillips Pan Head (#10-32 x 1-1/8")	1	2
5		1115270	Guard, Clothing, Desk Length - Left	1	1
6		1116900	Screw, Self Tapping (#6-20 x 1/2")	1	4
1	A,E,F	8881137335	Kit, Armrest, Desk Length, Color - Right (Style 88)	1	1
2			Tube, Armrest, Spacer Saver, Desk, Color - Right	1	1
3			Spacer, Coved (1/4 x 11/16 x 1/2")	1	1
4			NLA - Bolt, Hex Head Cap (1/4-20 x 3/4")	1	1
5			Guard, Clothing, Desk Length - Right	1	1
6			Screw, Self Tapping (#6-20 x 1/2")	1	4
7			Handle, Quad Release	1	1
8			Spring, Torsion with Button Lock	1	1
9			Plug, Armrest, Black (3/4") (18GA)	1	2
10			Spring, Release	1	1
11			Insert, Threaded	1	1
12			Screw, Phillips Pan Head Tap (#6-20 x 3/8")	1	2
14			Arm Pad, Desk Length w/ Law Label	1	1
15			Package, Screw Phillips Pan Head (#10-32 x 1-1/8")	1	2
5		1115269	Guard, Clothing, Desk Length - Right	1	1
6		1116900	Screw, Self Tapping (#6-20 x 1/2")	1	4
1	A,E,F	8881137336	Kit, Armrest, Desk Length, Color - Left (Style 88)	1	1
2			Tube, Armrest, Spacer Saver, Desk, Color - Left	1	1
3			Spacer, Coved (1/4 x 11/16 x 1/2")	1	1
4			NLA - Bolt, Hex Head Cap (1/4-20 x 3/4")	1	1
5			Guard, Clothing, Desk Length - Left	1	1
6			Screw, Self Tapping (#6-20 x 1/2")	1	4
7			Handle, Quad Release	1	1
8			Spring, Torsion with Button Lock	1	1
9			Plug, Armrest, Black (3/4") (18GA)	1	2
10			Spring, Release	1	1
11			Insert, Threaded	1	1
12			Screw, Phillips Pan Head Tap (#6-20 x 3/8")	1	2

9000XT & 9000XDT Non-Removable Space Saver Fixed Height Arms

Item Number	Note	Part Number	Description	Quantity Per	
				Package	Assembly
14			Arm Pad, Desk Length w/ Law Label	1	1
15			Package, Screw Phillips Pan Head (#10-32 x 1-1/8")	1	2
5		1115270	Guard, Clothing, Desk Length - Left	1	1
6		1116900	Screw, Self Tapping (#6-20 x 1/2")	1	4
1	A,B,E	8881130838	Kit, Armrest, Full Length, Black - Right (Style 78)	1	1
2			Tube, Armrest, Space Saver, Full Length, Black - Right	1	1
3			Spacer, Coved (1/4 x 11/16 x 1/2")	1	1
4			NLA - Bolt, Hex Head Cap (1/4-20 x 3/4")	1	1
5			Guard, Clothing, Full Length - Right	1	1
6			Screw, Self Tapping (#6-20 x 1/2")	1	4
7			Spring, Release	1	1
8			Insert, Threaded	1	1
9			Plug, Armrest, Black (3/4") (18GA)	1	2
10			Spring, Torsion with Button Lock	1	1
11			Handle, Quad Release	1	1
14			NLA - Pad, Arm, Full Length w/ Law Label	1	1
15			Package, Screw Phillips Pan Head (#10-32 x 1-1/8")	1	2
5		1115271	Guard, Clothing, Full Length - Right	1	1
6		1116900	Screw, Self Tapping (#6-20 x 1/2")	1	4
1	A,B,E	8881130839	Kit, Armrest, Full Length, Black - Left (Style 78)	1	1
2			Tube, Armrest, Space Saver, Full Length, Black - Left	1	1
3			Spacer, Coved (1/4 x 11/16 x 1/2")	1	1
4			NLA - Bolt, Hex Head Cap (1/4-20 x 3/4")	1	1
5			Guard, Clothing, Full Length - Left	1	1
6			Screw, Self Tapping (#6-20 x 1/2")	1	4
7			Spring, Release	1	1
8			Insert, Threaded	1	1
9			Plug, Armrest, Black (3/4") (18GA)	1	2
10			Spring, Torsion with Button Lock	1	1
11			Handle, Quad Release	1	1
14			NLA - Pad, Arm, Full Length w/ Law Label	1	1
15			Package, Screw Phillips Pan Head (#10-32 x 1-1/8")	1	2
5		1115272	Guard, Clothing, Full Length - Left	1	1
6		1116900	Screw, Self Tapping (#6-20 x 1/2")	1	4
1	A,B,D	8881137327	Kit, Armrest, Full Length, Black - Right (Style 78)	1	1
2			NLA - Armrest, Full, Black - Right	1	1
3			Spacer, Coved (1/4 x 11/16 x 1/2")	1	1
4			NLA - Bolt, Hex Head Cap (1/4-20 x 3/4")	1	1
5			Guard, Clothing, Full Length - Right	1	1
6			Screw, Self Tapping (#6-20 x 1/2")	1	4
7			Spring, Release	1	1
8			Insert, Threaded	1	1
9			Plug, Armrest, Black (3/4") (18GA)	1	2
10			Spring, Torsion with Button Lock	1	1

9000XT & 9000XDT Non-Removable Space Saver Fixed Height Arms

Item Number	Note	Part Number	Description	Quantity Per	
				Package	Assembly
11			Handle, Quad Release	1	1
14			NLA - Pad, Arm, Full Length w/ Law Label	1	1
15			Package, Screw Phillips Pan Head (#10-32 x 1-1/8")	1	2
5		1115271	Guard, Clothing, Full Length - Right	1	1
6		1116900	Screw, Self Tapping (#6-20 x 1/2")	1	4
1	A,B,D	8881137328	Kit, Armrest, Full Length, Black - Left (Style 78)	1	1
2			NLA - Armrest, Full, Black - Left	1	1
3			Spacer, Coved (1/4 x 11/16 x 1/2")	1	1
4			NLA - Bolt, Hex Head Cap (1/4-20 x 3/4")	1	1
5			Guard, Clothing, Full Length - Left	1	1
6			Screw, Self Tapping (#6-20 x 1/2")	1	4
7			Spring, Release	1	1
8			Insert, Threaded	1	1
9			Plug, Armrest, Black (3/4") (18GA)	1	2
10			Spring, Torsion with Button Lock	1	1
11			Handle, Quad Release	1	1
14			NLA - Pad, Arm, Full Length w/ Law Label	1	1
15			Package, Screw Phillips Pan Head (#10-32 x 1-1/8")	1	2
5		1115272	Guard, Clothing, Full Length - Left	1	1
6		1116900	Screw, Self Tapping (#6-20 x 1/2")	1	4
1	A,E,F	8881130840	Kit, Armrest, Full Length, Color - Right (Style 78)	1	1
2			Tube, Armrest, Space Saver, Full Length, Color - Right	1	1
3			Spacer, Coved (1/4 x 11/16 x 1/2")	1	1
4			NLA - Bolt, Hex Head Cap (1/4-20 x 3/4")	1	1
5			Guard, Clothing, Full Length - Right	1	1
6			Screw, Self Tapping (#6-20 x 1/2")	1	4
7			Spring, Release	1	1
8			Insert, Threaded	1	1
9			Plug, Armrest, Black (3/4") (18GA)	1	2
10			Spring, Torsion with Button Lock	1	1
11			Handle, Quad Release	1	1
14			NLA - Pad, Arm, Full Length w/ Law Label	1	1
15			Package, Screw Phillips Pan Head (#10-32 x 1-1/8")	1	2
5		1115271	Guard, Clothing, Full Length - Right	1	1
6		1116900	Screw, Self Tapping (#6-20 x 1/2")	1	4
1	A,E,F	8881130841	Kit, Armrest, Full Length, Color - Left (Style 78)	1	1
2			Tube, Armrest, Space Saver, Full Length, Color - Left	1	1
3			Spacer, Coved (1/4 x 11/16 x 1/2")	1	1
4			NLA - Bolt, Hex Head Cap (1/4-20 x 3/4")	1	1
5			Guard, Clothing, Full Length - Left	1	1
6			Screw, Self Tapping (#6-20 x 1/2")	1	4
7			Spring, Release	1	1
8			Insert, Threaded	1	1
9			Plug, Armrest, Black (3/4") (18GA)	1	2

9000XT & 9000XDT Non-Removable Space Saver Fixed Height Arms

Item Number	Note	Part Number	Description	Quantity Per	
				Package	Assembly
10			Spring, Torsion with Button Lock	1	1
11			Handle, Quad Release	1	1
14			NLA - Pad, Arm, Full Length w/ Law Label	1	1
15			Package, Screw Phillips Pan Head (#10-32 x 1-1/8")	1	2
5		1115272	Guard, Clothing, Full Length - Left	1	1
6		1116900	Screw, Self Tapping (#6-20 x 1/2")	1	4
1	A,D,F	8881137329	Kit, Armrest, Full Length, Color - Right (Style 78)	1	1
2			Tube, Armrest, Full, Color - Right	1	1
3			NLA - Bolt, Hex Head Cap (1/4-20 x 3/4")	1	1
4			Spacer, Coved (1/4 x 11/16 x 1/2")	1	1
5			Guard, Clothing, Full Length - Right	1	1
6			Screw, Self Tapping (#6-20 x 1/2")	1	4
7			Spring, Release	1	1
8			Insert, Threaded	1	1
9			Plug, Armrest, Black (3/4") (18GA)	1	2
10			Spring, Torsion with Button Lock	1	1
11			Handle, Quad Release	1	1
14			NLA - Pad, Arm, Full Length w/ Law Label	1	1
15			Package, Screw Phillips Pan Head (#10-32 x 1-1/8")	1	1
5		1115271	Guard, Clothing, Full Length - Right	1	1
6		1116900	Screw, Self Tapping (#6-20 x 1/2")	1	4
1	A,D,F	8881137330	Kit, Armrest, Full Length, Color - Left (Style 78)	1	1
2			Tube, Armrest, Full Length, Color - Left	1	1
3			Spacer, Coved (1/4 x 11/16 x 1/2")	1	1
4			NLA - Bolt, Hex Head Cap (1/4-20 x 3/4")	1	1
5			Guard, Clothing, Full Length - Left	1	1
6			Screw, Self Tapping (#6-20 x 1/2")	1	4
7			Spring, Release	1	1
8			Insert, Threaded	1	1
9			Plug, Armrest, Black (3/4") (18GA)	1	2
10			Spring, Torsion with Button Lock	1	1
11			Handle, Quad Release	1	1
14			NLA - Pad, Arm, Full Length w/ Law Label	1	1
15			Package, Screw Phillips Pan Head (#10-32 x 1-1/8")	1	2
5		1115272	Guard, Clothing, Full Length - Left	1	1
6		1116900	Screw, Self Tapping (#6-20 x 1/2")	1	4
13	B,C	8881127509	Kit, Arm Pad w/Screws - Full Length	1	1
14			NLA - Pad, Arm, Full Length w/ Law Label	1	1
15			Package, Screw Phillips Pan Head (#10-32 x 1-1/8")	1	2
13	B,C	8881127510	Kit, Arm Pad w/Screws - Desk Length	1	1
14			Arm Pad, Desk Length w/ Law Label	1	1
15			Package, Screw Phillips Pan Head (#10-32 x 1-1/8")	1	2

9000XT & 9000XDT Non-Removable Space Saver Fixed Height Arms

NOTE: A - Includes items 2-15.
B - Specify upholstery color when ordering. See page titled "Frame Finishes, Upholstery Colors, Decals and Packaging."
C - Includes items 14 and 15.
D - To be used on 9000XT models only.
E - To be used on 9000XDT models only.
F - Specify frame finish and upholstery color when ordering. See page titled "Frame Finishes, Upholstery Colors, Decals and Packaging."