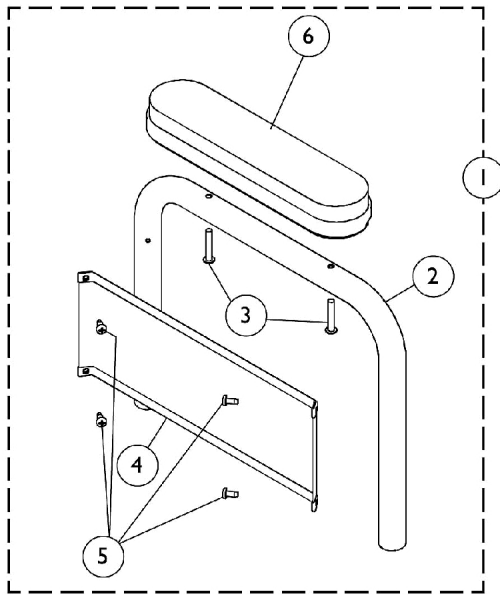
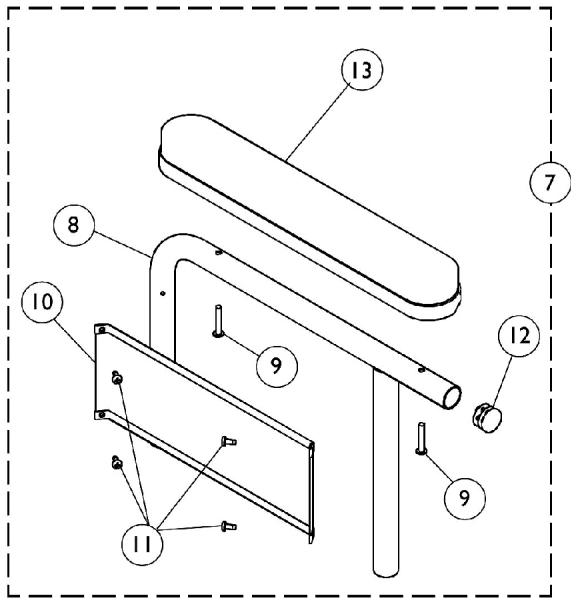


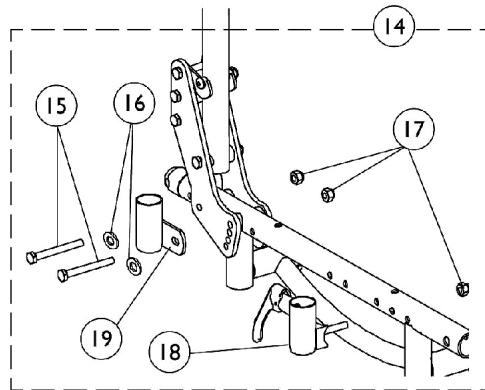
Fixed Height Arms



Desk Length Arm with Arm Pad



Full Length Arm with Arm Pad



Arm Attaching Hardware

Fixed Height Arms

Item Number	Note	Part Number	Description	Quantity Per	
				Package	Assembly
1	A,B	8881102858-NL A	NLA - Fixed Height Desk Length Arm Assembly - Right	1	1
2			NLA - Tube, Arm, Desk Length, Black - Right/Left	1	1
3			Package, Screw Phillips Pan Head (#10-32 x 1-1/8")	2	1
4			NLA - Guard, Clothing, Desk Length	1	1
5			Screw, Phillips Pan Head Tap (#8-32 x 3/8")	1	4
6			Pad, Arm, Desk Length	1	1
6	A	8881053578	Kit, Arm Pad w/ Screws, Desk Length (9" L x 2" W) (Pair)	2	1
1	A,B	8881102859-NL A	NLA - Fixed Height Desk Length Arm Assembly - Left	1	1
2			NLA - Tube, Arm, Desk Length, Black - Right/Left	1	1
3			Package, Screw Phillips Pan Head (#10-32 x 1-1/8")	2	1
4			NLA - Guard, Clothing, Desk Length	1	1
5			Screw, Phillips Pan Head Tap (#8-32 x 3/8")	1	4
6			NLA - Arm Pad, Desk Length w/ Law Label	1	1
6	A	8881053578	Kit, Arm Pad w/ Screws, Desk Length (9" L x 2" W) (Pair)	2	1
7	A,C	8881102864-NL A	NLA - Fixed Height Full Length Arm Assembly - Right	1	1
8			NLA - Arm Base, Full Length, Black - Right	1	1
9			Screw, Phillips Pan Head (#10-32 x 1-1/8")	1	2
10			NLA - Guard, Clothing, Desk Length	1	1
11			Screw, Phillips Pan Head Tap (#8-32 x 3/8")	1	4
12			Plug Button, Black (7/8")	1	1
13			NLA - Pad, Arm, Full Length w/ Law Label	1	1
13	A	8881053577	Kit, Arm Pad w/ Screws, Full Length (14" L x 2" W) (Pair)	2	1
7	A,C	8881102865-NL A	NLA - Fixed Height Full Length Arm Assembly - Left	1	1
8			NLA - Arm Base, Full Length, Black - Left	1	1
9			Screw, Phillips Pan Head (#10-32 x 1-1/8")	1	2
10			NLA - Guard, Clothing, Desk Length	1	1
11			Screw, Phillips Pan Head Tap (#8-32 x 3/8")	1	4
12			Plug Button, Black (7/8")	1	1
13			NLA - Pad, Arm, Full Length w/ Law Label	1	1
13	A	8881053577	Kit, Arm Pad w/ Screws, Full Length (14" L x 2" W) (Pair)	2	1
14	D	1083083	Kit, Arm Attaching Hardware (Pair)	1	1
15			Screw, Hex Head (1/4-28 x 2-1/4")	1	4
16			Washer (1/4 x 1/2 x 1/16")	1	4
17			Nut, Hex (1/4-28)	1	6
18			Socket, Arm, Front - Right	1	1
18			Socket, Arm, Front - Left	1	1
19			Socket, Arm, Rear - Right/Left	1	2
15		1055350	Screw, Hex Head (1/4-28 x 2-1/4")	1	4
16		1026907	Washer (1/4 x 1/2 x 1/16")	1	4
17		1085111	Nut, Hex (1/4-28)	1	6
18		1083081	Socket, Arm, Front - Right	1	1

Fixed Height Arms

Item Number	Note	Part Number	Description	Quantity Per	
				Package	Assembly
18		1083082	Socket, Arm, Front - Left	1	1
19		1048835	Socket, Arm, Rear - Right/Left	1	2
NOTE: A - Specify upholstery color U67 Black when ordering B - Includes items 2-6 C - Includes items 8-13 D - Includes items 15-19. Contains enough hardware for both arms					