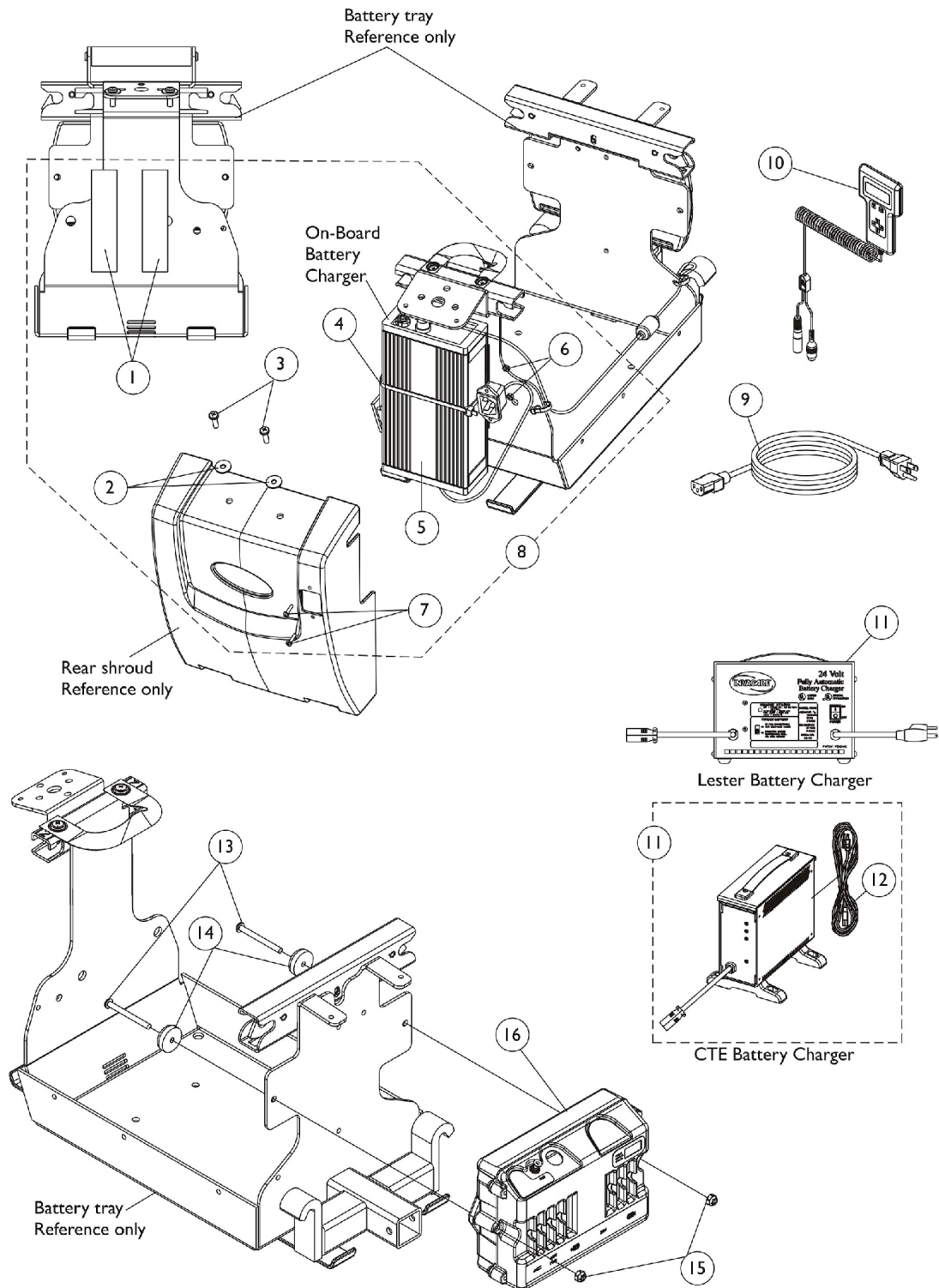


# MK5 EX Controller, Programmer and Battery Charger



# MK5 EX Controller, Programmer and Battery Charger

Item Number	Note	Part Number	Description	Quantity Per	
				Package	Assembly
1		1095507-NLA	NLA - Fastener, Hook and Loop Adhesive (2" W x 12" L)	1	2
2		1070587	Washer, Flat (3/16 x 5/8 x 1/16")	1	2
3		1028755	Screw, Phillips Pan Head (#10-32 x 5/8")	1	2
4		1095502-NLA	NLA - Package, Tie Wrap (11-1/2" L)	10	2
5		1122285-NLA	NLA - Charger, Battery with Power Cord 3 Amp, On-Board	1	1
6		P0870X000	Nut, Hex Keys (#4-40)	1	2
7		1021742	Screw, Phillips Pan Head (#4-40 x 1/2")	1	2
8	A	1122286-NLA	NLA - Kit, Battery Charger with Hardware - 3 Amp. (On-Board)	1	1
9		1121086	Cord, AC Power, 115VAC, 3 Prong On-Board (6' 6-1/2" L)	1	1
10		1109091-NLA	NLA - Programmer, Remote	1	1
11	C,E	1053161-NLA	NLA - Charger, Battery, 8 Amp, 115vac, Off Board Dual Mode Round Plug, Lester	1	1
11	B,C	1123249	Charger, Battery, 8 Amp. 115vac (Off Board) Single Mode Round Plug w/ AC Power Line Cord	1	1
11	B,C	1123249E-NLA	NLA - WARR RPLMT - Charger, Battery, 8 Amp, 115VAC (Off Board) Single Mode Round Plug w/ AC Power Line Cord	1	1
12	D	1089627-NLA	NLA - Cord, AC Power, 115VAC, 2 Prong Off-Board (11' 6" L)	1	1
12		1121086	Cord, AC Power, 115VAC, 3 Prong On-Board (6' 6-1/2" L)	1	1
13		1121493-NLA	NLA - Screw, Socket Button Head (10-32 x 2")	1	2
14		1109471-NLA	NLA - Bumper with Washer	1	2
15		1025731	Locknut (#10-32)	1	2
16		1115750-NLA	NLA - Controller, MK5 EX	1	1

NOTE: A - Includes items 1-7  
 B - CTE charger introduced 4/1/04. Used on Gel Cell or AGM (Absorbed Glass Mat) batteries. For wet cell batteries refer to the Lester charger.  
 C - Lester and the CTE battery chargers are optional on-chair  
 D - No longer available as a service part. Please use 1121086 as its replacement.  
 E - Use Battery Charger part number 1123249 as a replacement.