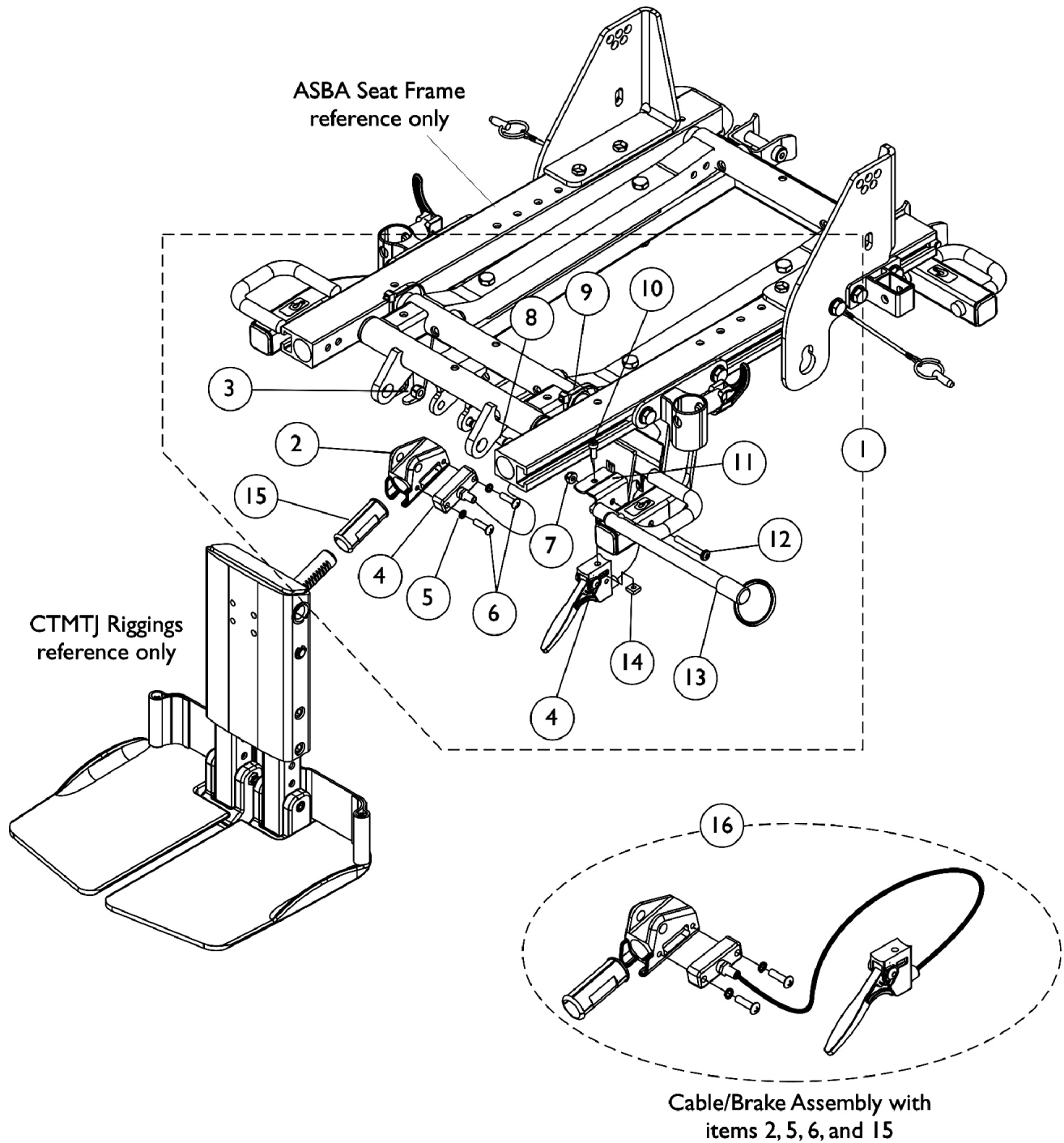


Center Mount Rigging Mounting Hardware (CTMTJ and CTMT)

After 10/26/04

NOTE: All Center Mount Riggings after 10/26/04 use the same mounting hardware.



Center Mount Rigging Mounting Hardware (CTMTJ and CTMT) After 10/26/04

NOTE: All Center Mount Riggings after 10/26/04 use the same mounting hardware.

Item Number	Note	Part Number	Description	Quantity Per	
				Package	Assembly
1	A	1127160-NLA	NLA - Kit, Center Mount Rigging Mounting Hardware	1	1
2		1113389	Housing, Ratchet	1	1
3		1025736	Locknut (1/4-20)	1	1
4		1113622	Cable/Brake Assembly	1	1
5		10141X012-NLA	NLA - Washer, Lock (3/16 x 5/16 x 1/16")	1	2
6		40163X008	Screw, Phillips Pan Head (#10-32 x 11/16")	1	2
7		1025731	Locknut (#10-32)	1	1
8		1071736	Screw, Shoulder Hex Socket Head (5/16" x 1-5/8", 1/4-20)	1	1
9		1095502-NLA	NLA - Package, Tie Wrap (11-1/2" L)	10	1
10		1056087-NLA	NLA - Screw, Socket Head (#10-32 x 1/2")	1	1
11		1127161-NLA	NLA - Bracket, Cable Release Mounting, Black	1	1
12		1026107	Screw, Phillips Pan Head (#10-32 x 1-3/8")	1	1
13		1113375-NLA	NLA - Pin, Quick Release (5" Long)	1	1
14		1086207	Nut, Square (#10-32)	1	1
15		1113383	Bearing, Glide	1	2
16	B	1121079	Cable/Brake Assembly w/ Ratchet Housing and Glide Bearing	1	1

NOTE: A - Includes items 2-15
B - Includes Cable Assembly and items 2,5,6, and 15