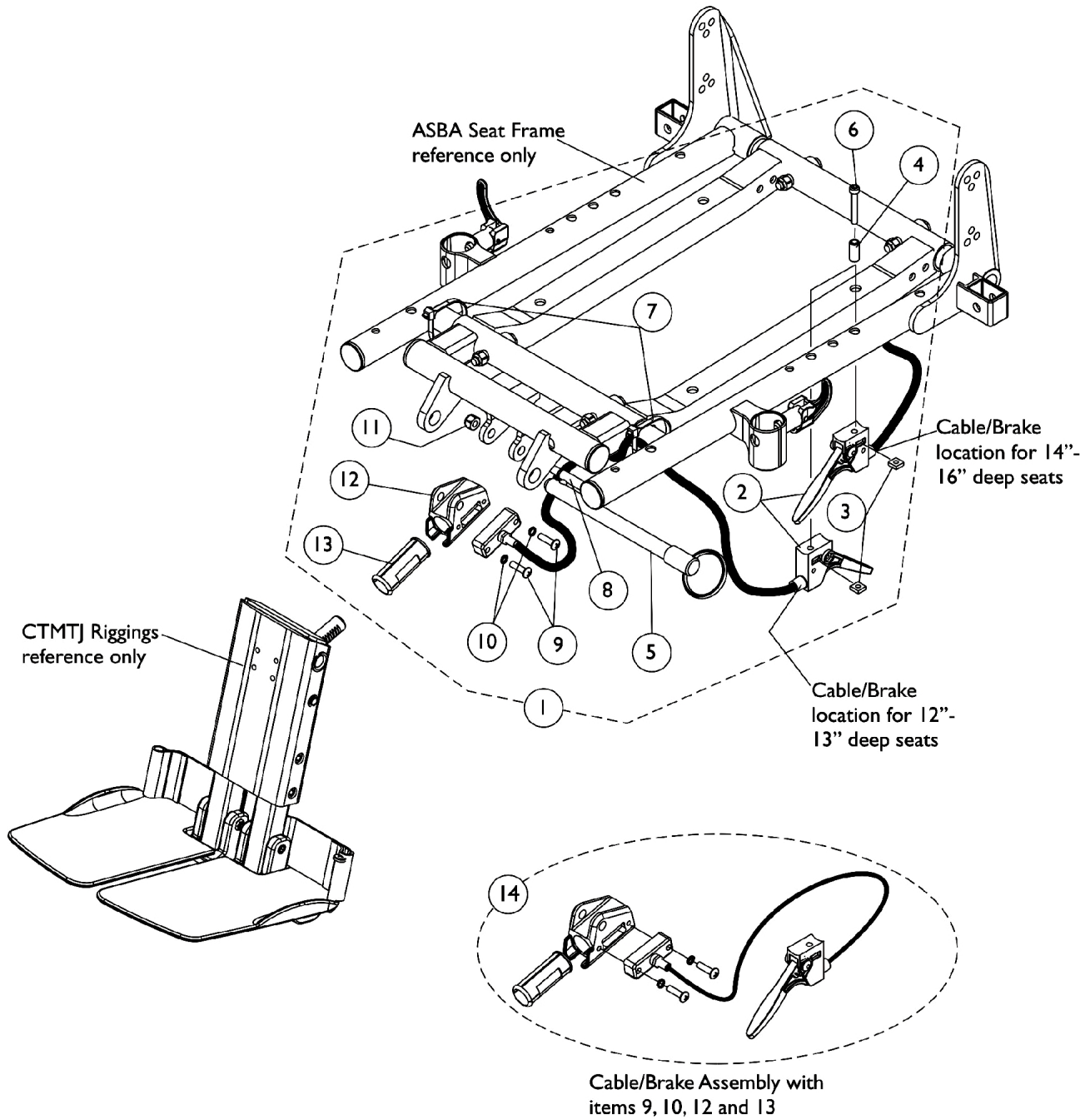


Center Mount Rigging Mounting Hardware (CTMTJ and CTMT)

Before 10/27/04

NOTE: All Center Mount Riggings before 10/27/04 use the same mounting hardware.



Center Mount Rigging Mounting Hardware (CTMTJ and CTMT) Before 10/27/04

NOTE: All Center Mount Riggings before 10/27/04 use the same mounting hardware.

Item Number	Note	Part Number	Description	Quantity Per	
				Package	Assembly
1	A,C	1117264-NLA	NLA - Kit, Center Mount Rigging Mounting Hardware	1	1
2			Cable/Brake Assembly	1	1
3			Nut, Square (#10-32)	1	1
4			NLA - Spacer (3/16 x 5/16 x 3/4")	1	1
5			NLA - Pin, Quick Release (5" Long)	1	1
6			NLA - Screw, Socket Head (#10-32 x 1-1/4")	1	1
7			Tie Wrap (11-1/2" L)	1	2
8			Screw, Shoulder Hex Socket Head (5/16" x 1-5/8", 1/4-20)	1	1
9			Screw, Phillips Pan Head (#10-32 x 11/16")	1	2
10			NLA - Washer, Lock (3/16 x 5/16 x 1/16")	1	2
11			Locknut (1/4-20)	1	1
12			Housing, Ratchet	1	1
13			Bearing, Glide	1	2
14	B	1121079	Cable/Brake Assembly w/ Ratchet Housing and Glide Bearing	1	1

NOTE: A - Includes items 2-13
 B - Includes Cable Assembly and items 9,10,12, and 13
 C - Ratchet Housing Material changed from aluminum to steel as of 1/8/04