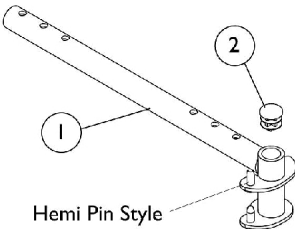
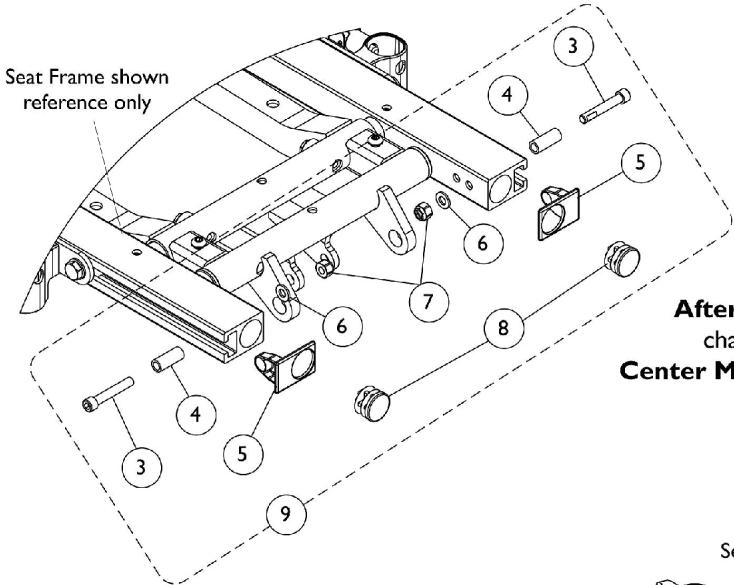


Front Rigging Hangers and Hardware

Note: Front rigging hangers and seat pan share the same mounting hardware. See Seat Pan and Mounting Hardware (Before 10/27/04) category.

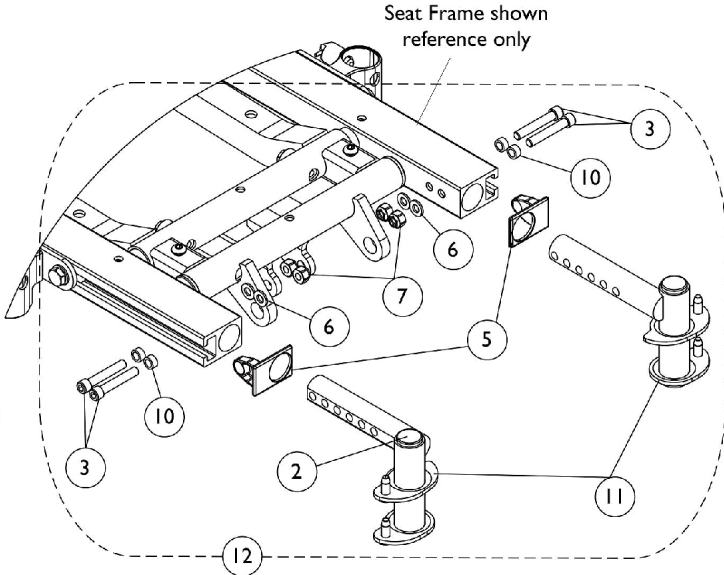


Before 10/27/04



After 10/26/04
chairs with
Center Mount Riggings

After 10/26/04
chairs with
Swingaway Front Riggings



Front Rigging Hangers and Hardware

| Item Number | Note | Part Number | Description | Quantity Per | |
|-------------|--|------------------------------------|---|--------------|--|
| | | | | Package | Assembly |
| 1 | A | 1114766 | Front Rigging Hanger Assembly w/ Plug Button, Pin Style, Hemi, Black - Right (12 - 21" D) | 1 | 1 |
| 1 | A | 1114767 | Front Rigging Hanger Assembly w/ Plug Button, Pin Style, Hemi, Black - Left (12 - 21" D) | 1 | 1 |
| 9 | B | 1126150 | Kit, Side Rail Cap Hardware | 2 | 1 |
| 3 | | | Screw, Socket Head Cap w/ Patch (1/4-20 x 1-1/2") | 1 | 2 |
| 4 | | | Spacer (1/4 x 3/8 x 29/32") | 1 | 2 |
| 5 | | | Cap, End, Side Rail, Black | 1 | 2 |
| 6 | | | Washer (1/4 x 1/2 x 1/16") | 1 | 2 |
| 7 | | | Locknut (1/4-20) | 1 | 2 |
| 8 | | | Plug Button, Black (7/8") | 1 | 2 |
| 12 | | | C | 1126149-NLA | NLA - Kit, Front Rigging Hangers with Hardware |
| 2 | Plug Button, Black (3/4") | 1 | | | 2 |
| 3 | Screw, Socket Head Cap w/ Patch (1/4-20 x 1-1/2") | 1 | | | 4 |
| 5 | Cap, End, Side Rail, Black | 1 | | | 2 |
| 6 | Washer (1/4 x 1/2 x 1/16") | 1 | | | 4 |
| 7 | Locknut (1/4-20) | 1 | | | 4 |
| 10 | NLA - Spacer (1/4 x 3/8 x 3/16") | 1 | | | 4 |
| 11 | Front Rigging Hanger Assembly w/ Plug Button, Pin Style, Hemi, Black - Right | 1 | | | 1 |
| 11 | Front Rigging Hanger Assembly w/ Plug Button, Pin Style, Hemi, Black - Left | 1 | | | 1 |
| 2 | 1134426 | Package, Plug Button, Black (3/4") | | | 10 |
| 8 | 1130582 | Package, Plug Button, Black (7/8") | 10 | 1 | |

NOTE: A - Includes item 2 Plug Button
 B - Includes items 3-8
 C - Includes items 2, 3, 5-7, 10 and 11