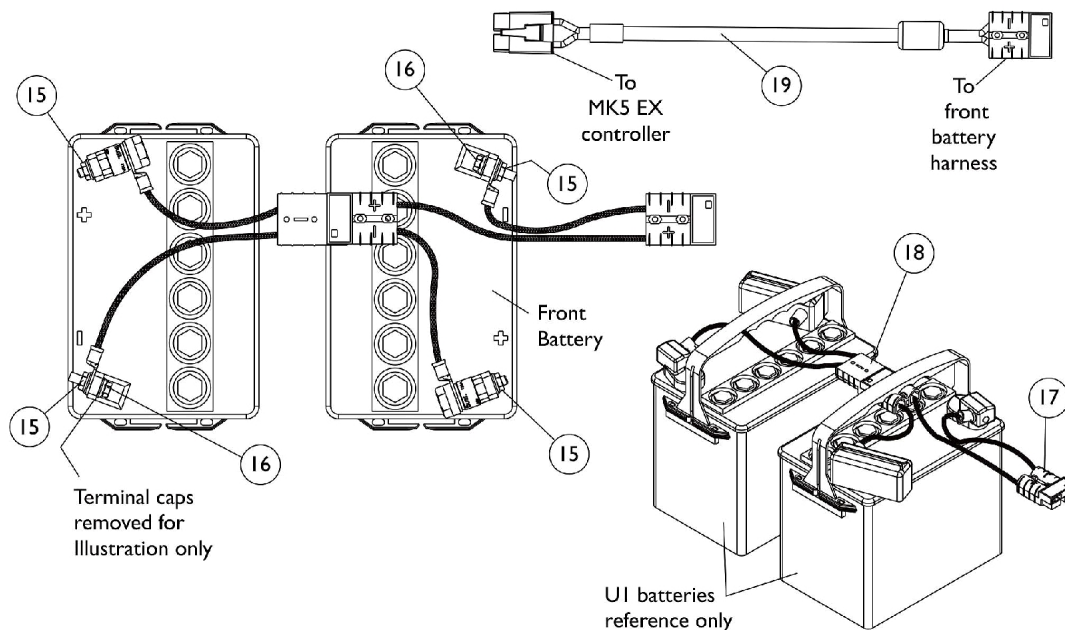
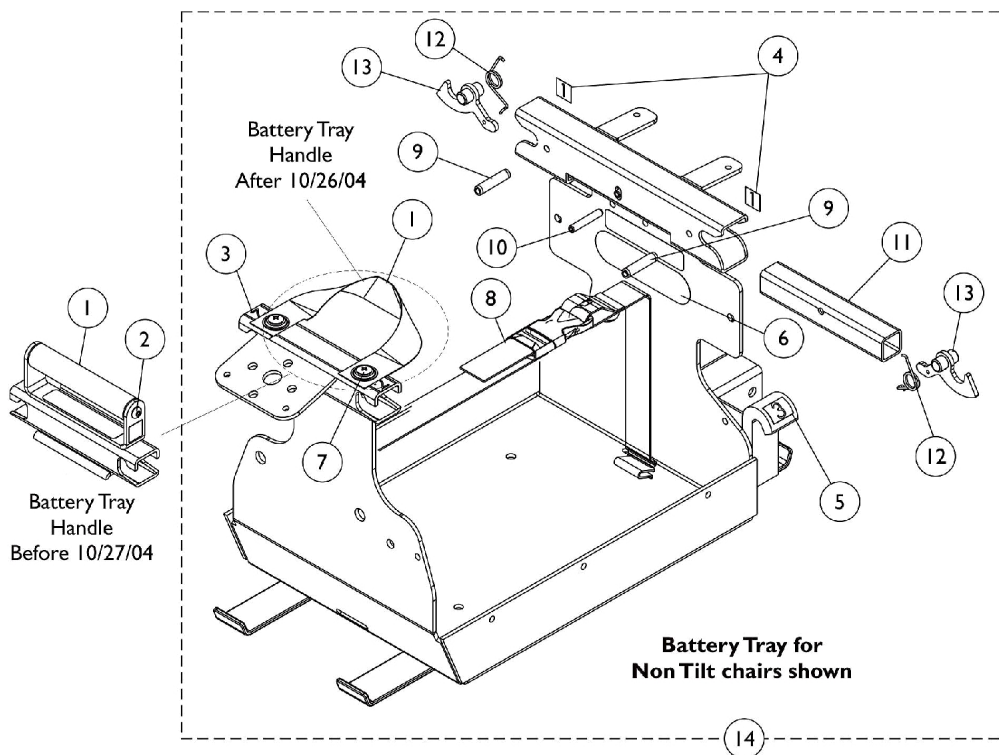


# Battery Tray and Battery Harness Assemblies



## Battery Tray and Battery Harness Assemblies

Item Number	Note	Part Number	Description	Quantity Per	
				Package	Assembly
1	A,C	1108462-NLA	NLA - Handle, Battery Tray with Black Nylon Rod	1	1
1	B,C	1126108	Handle, Battery Tray with Black Webbing	1	1
2	A	1025354-NLA	NLA - Screw, Socket Button Head (#10-32 x 3/8")	1	2
3		1109200-NLA	NLA - Label Marker (2)	1	2
4		1109199-NLA	NLA - Label Marker (1)	1	2
5		1109201-NLA	NLA - Label Marker (3)	1	2
6		1035900	Decal, Transportation	1	1
7		1076284	Screw w/ Washer (#10 x 7/8")	1	2
8		1080872-NLA	NLA - Strap and Buckle Assembly	1	1
9		1108239-NLA	NLA - Pin, Slotted (1/4 x 1-1/8")	1	2
10		1109221-NLA	NLA - Pin, Roll (3/16 x 1-1/8")	1	1
11		1108063 -NLA	NLA - Handle, Release, Black	1	1
12		1106482-NLA	NLA - Spring, Latch Release	1	2
13		1106353-NLA	NLA - Latch, Black	1	2
14	D	1123140-NLA	NLA - Battery Tray Assembly with Labels	1	1
14	F	1127157	NLA - Battery Tray Assembly	1	1
15		16721X000	Locknut (1/4-20)	1	4
16		1102337-NLA	NLA - Screw, Hex Flange Whiz Lock(1/4-20 x 5/8")	1	2
17	E	1122212-NLA	NLA - Harness, Battery - Front	1	1
18	E	1122211-NLA	NLA - Harness, Battery - Rear	1	1
19	G	1122199	Cable, Battery Extension, Red Connector	1	1

NOTE: A - Chairs built Before 10/27/04.  
 B - Chairs built After 10/26/04.  
 C - Effective 10/27/04, Battery Tray Handle has changed from a black nylon rod to a black webbing strap. Strap not used on tilting chairs.  
 D - Non Tilt chairs only. Includes items 1, 3-13. Effective 10/27/04, Battery Tray Assembly now has black webbing for a handle. Use this assembly regardless when chair was built.  
 E - Individual components are not available for the battery harnesses  
 F - Tilt chairs only. Battery Tray for tilt chairs does not require strap or labels. Includes Tray plus items 6, 8-13.  
 G - Both MK5 & MK6i use this Battery Extension Cable.