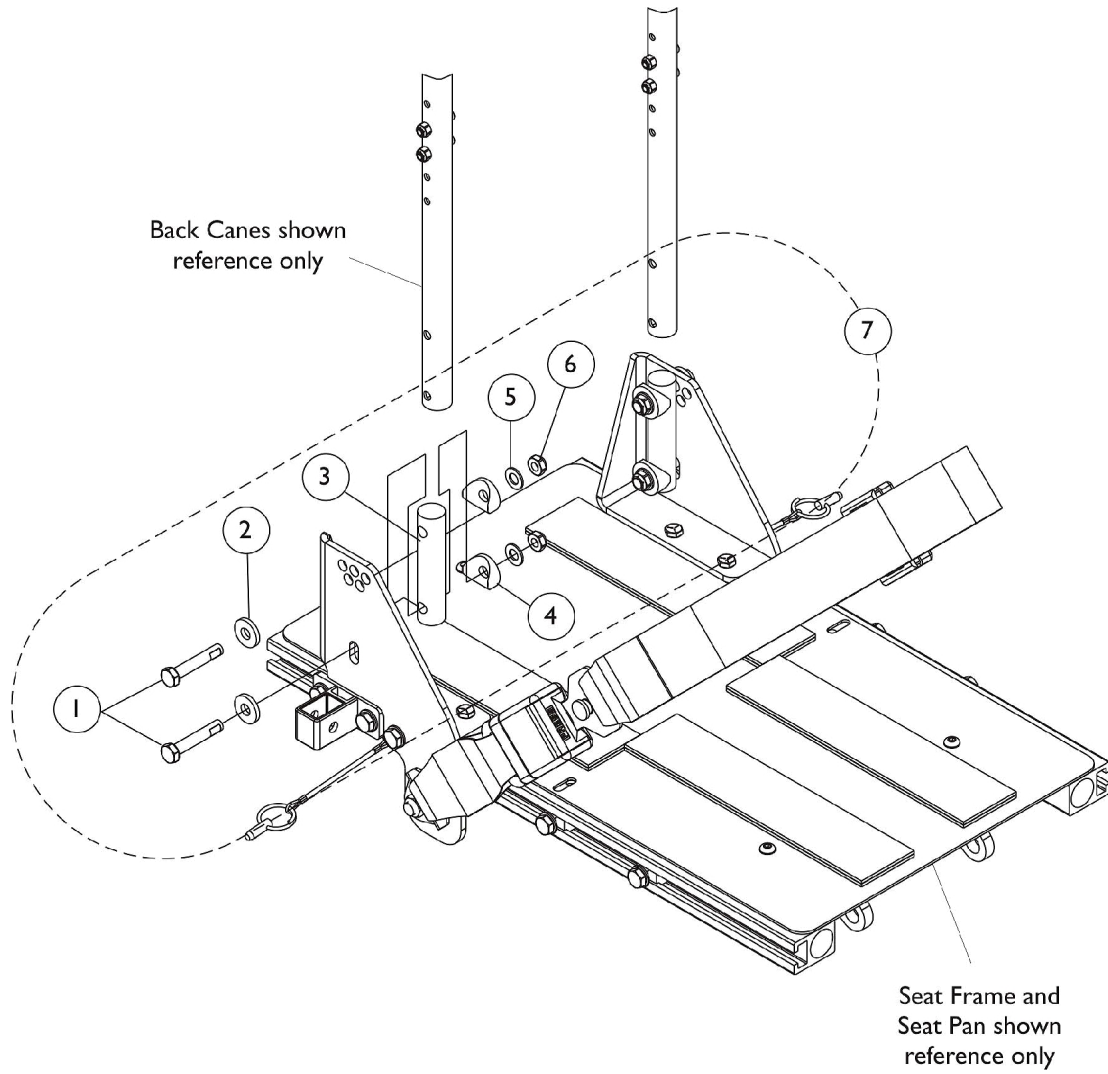


# Back Cane Mounting Hardware

After 10/26/04 (All Depths)



## Back Cane Mounting Hardware After 10/26/04 (All Depths)

Item Number	Note	Part Number	Description	Quantity Per	
				Package	Assembly
7	A	1126146-NLA	Kit, Back Cane Attaching Hardware	1	1
1			NLA - Screw, Hex Head w/ Patch (5/16-18 x 1-3/4")	1	4
2			Washer, Flat (21/64 x 53/64 x 7/64")	1	4
3			NLA - Insert, Back Cane	1	2
4			Spacer, Coved (3/4 x 1 x 1/2")	1	4
5			Washer, Flat (5/16 x 5/8 x 1/16")	1	4
6			Locknut (5/16-18)	1	4

NOTE: A - Includes items 1-6