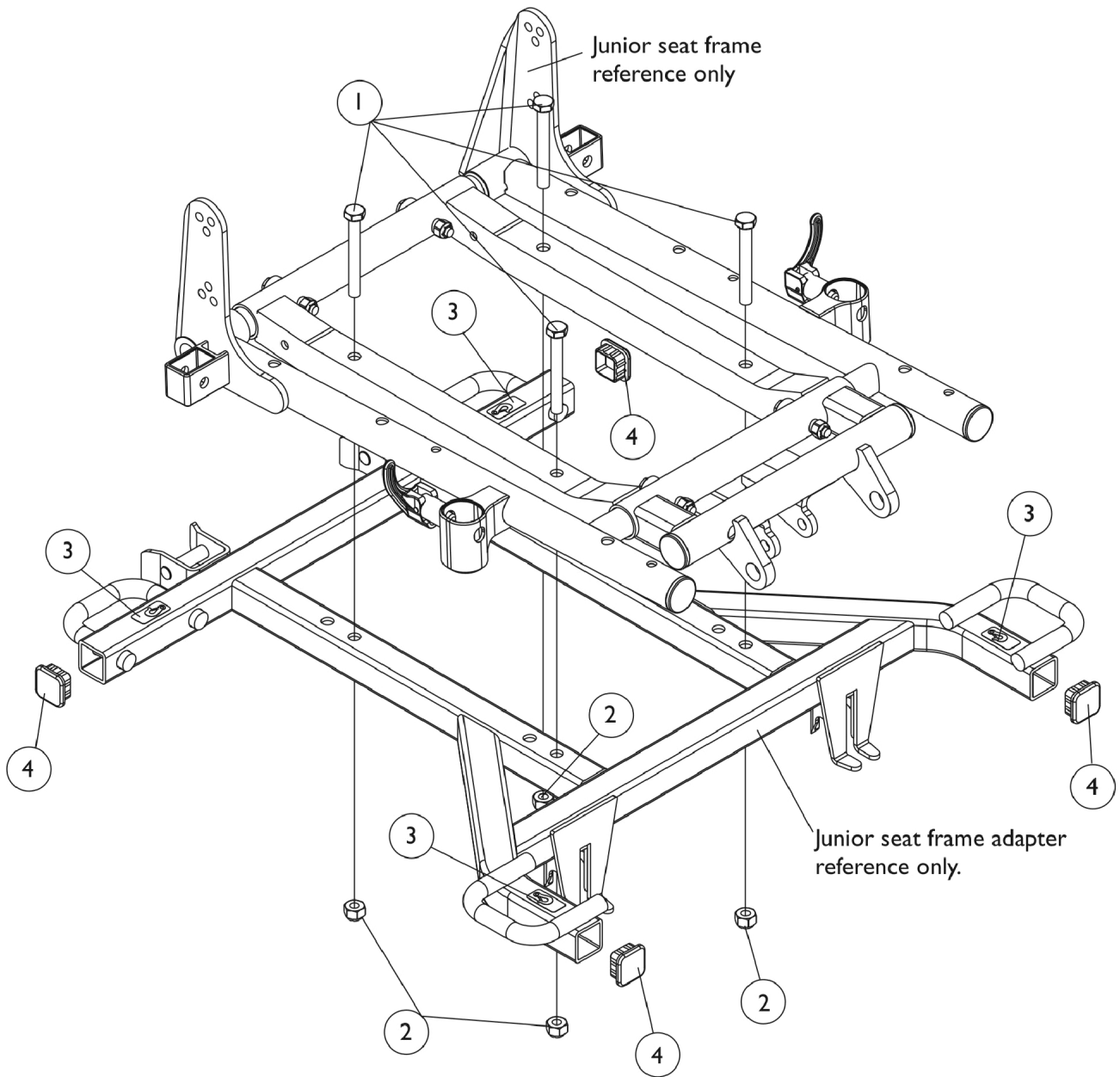


ASBA Seat Frame Mounting Hardware

Before 10/27/04

NOTE: ASBA Junior seat frame adapter is offered as an ON-Chair item only. When a replacement is required, call Invacare's Technical Service Department at 1-800-832-4707 for assistance.



ASBA Seat Frame Mounting Hardware

Before 10/27/04

NOTE: ASBA Junior seat frame adapter is offered as an ON-Chair item only. When a replacement is required, call Invacare's Technical Service Department at 1-800-832-4707 for assistance.

Item Number	Note	Part Number	Description	Quantity Per	
				Package	Assembly
1		90162X000-NLA	NLA - Screw, Hex Head (5/16-18 x 2-1/2")	1	4
2		1026158	Locknut (5/16-18)	1	4
3		1083199-NLA	NLA - Label, Hook Tie-Down	1	4
4		1105038	Plug Button, Black (1" Square)	1	4