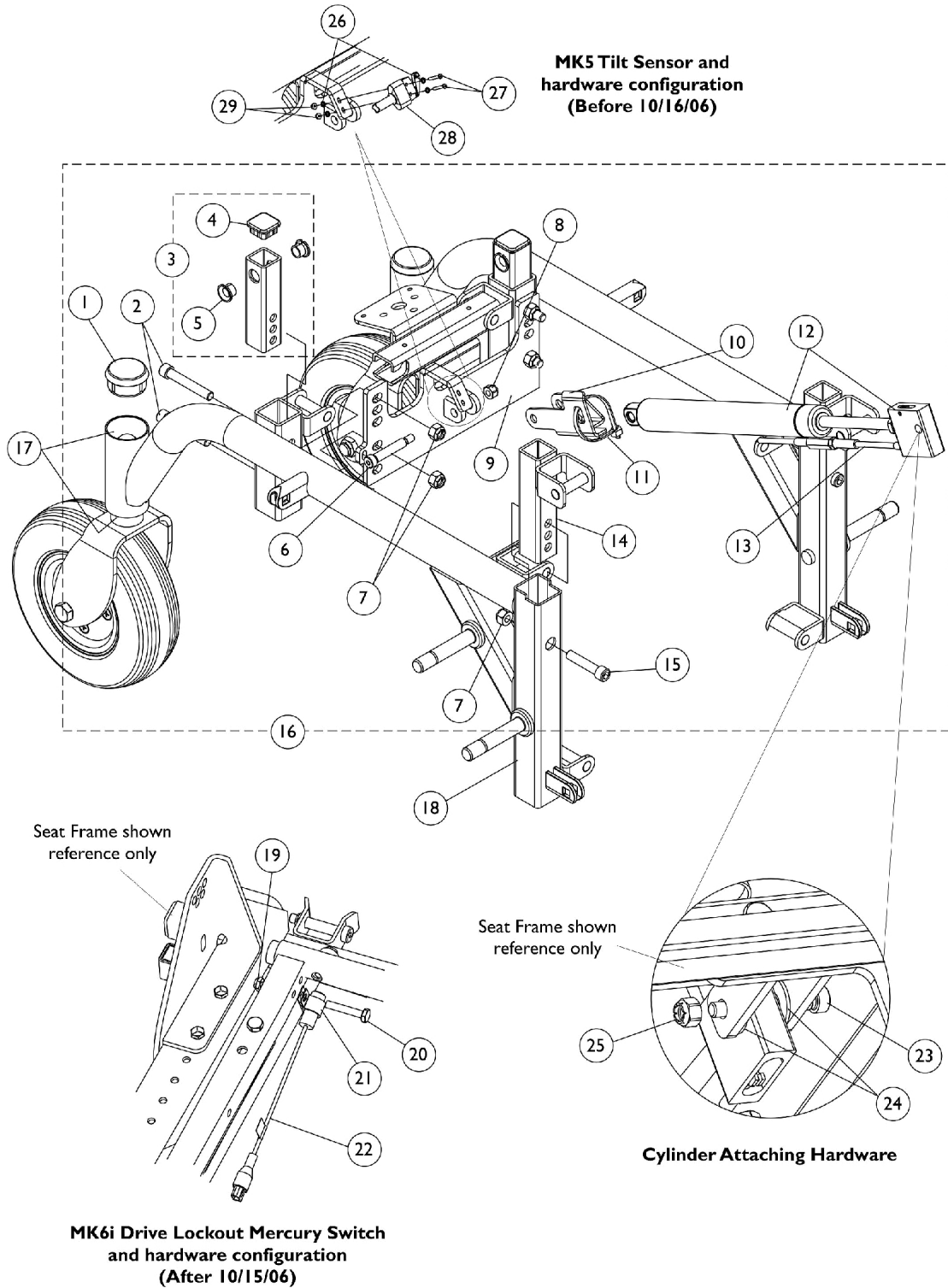


# Side Frame and Tilt Hardware

## Tilt Chairs

Tilt Sensor Cable and Splitter Cable can be found in the MK5 Controller Cables category.  
As of 7/1/2009, switches are mercury free.



# Side Frame and Tilt Hardware

## Tilt Chairs

Tilt Sensor Cable and Splitter Cable can be found in the MK5 Controller Cables category.  
As of 7/1/2009, switches are mercury free.

Item Number	Note	Part Number	Description	Quantity Per	
				Package	Assembly
1		1105026	Plug Button, Head Tube, Black	1	2
2		1126151-NLA	NLA - Screw, Socket Head (5/16-18 x 2")	1	4
3	A	1126107-NLA	NLA - Tube, Slide, Seat Height Adjustment, Rear	1	2
4		1105038	Plug Button, Black (1" Square)	1	2
5		1082705-NLA	NLA - Bearing, Flange	1	4
6		1104846-NLA	NLA - Screw, Socket Head Shoulder (5/16 x 1-1/2", 1/4-20)	1	1
7		1026158	Locknut (5/16-18)	1	6
8		1025736	Locknut (1/4-20)	1	1
9		1126112-NLA	NLA - Bracket, Cylinder, Rear, Black	1	1
10		1126113-NLA	NLA - Bracket, Sensor Actuator, Black	1	1
11		1095502-NLA	NLA - Package, Tie Wrap (11-1/2" L)	10	1
12	B	1126105-NLA	NLA - Cylinder, Locking with Cable & Release Handle	1	1
13		1126103-NLA	NLA - Release Handle Assembly w/ Cable	1	1
14		1123524-NLA	NLA - Tube, Slide, Seat Height Adjustment, Front	1	2
15		1021344	Screw, Socket Head (5/16-18 x 1-1/2")	1	2
16	C	1126121-NLA	NLA - Kit, Frame/Tilt Hardware	1	1
17		40117X006	Bearing (5/8")	1	2
18	D	1109320-NLA	NLA - Side Frame Assembly - Right	1	1
18	D	1109321-NLA	NLA - Side Frame Assembly - Left	1	1
19		1025195	Locknut (1/4-20)	1	1
20		1074642-NLA	NLA - Screw, Hex Head (1/4-20 x 1-3/8")	1	1
21		0062800-NLA	NLA - Bracket, Cable/Wire Mounting, Black	1	1
22	E	1140099	Switch, Drive Lockout Mercury Free Ball (MK6i) (50" L)	1	1
23		1104846-NLA	NLA - Screw, Socket Head Shoulder (5/16 x 1-1/2", 1/4-20)	1	1
24		1012371	Washer, Nylon (3/8 x 7/8 x 1/16")	1	2
25		1025736	Locknut (1/4-20)	1	1
26		1120253-NLA	NLA - Washer, Lock Internal Tooth (#2)	1	4
27		1126570-NLA	NLA - Screw, Phillips Pan Head (#2-56 x 5/8")	1	2
28		1126122-NLA	NLA - Cable, Tilt Sensor	1	1
29		57007X002-NLA	NLA - Locknut (#2-56)	1	2

NOTE: A - Includes items 4 and 5  
B - Includes item 13  
C - Includes items 1-15  
D - Includes Bearings (item 17)  
E - Please refer to the MK6i Electronics catalog for further information regarding electronic components.