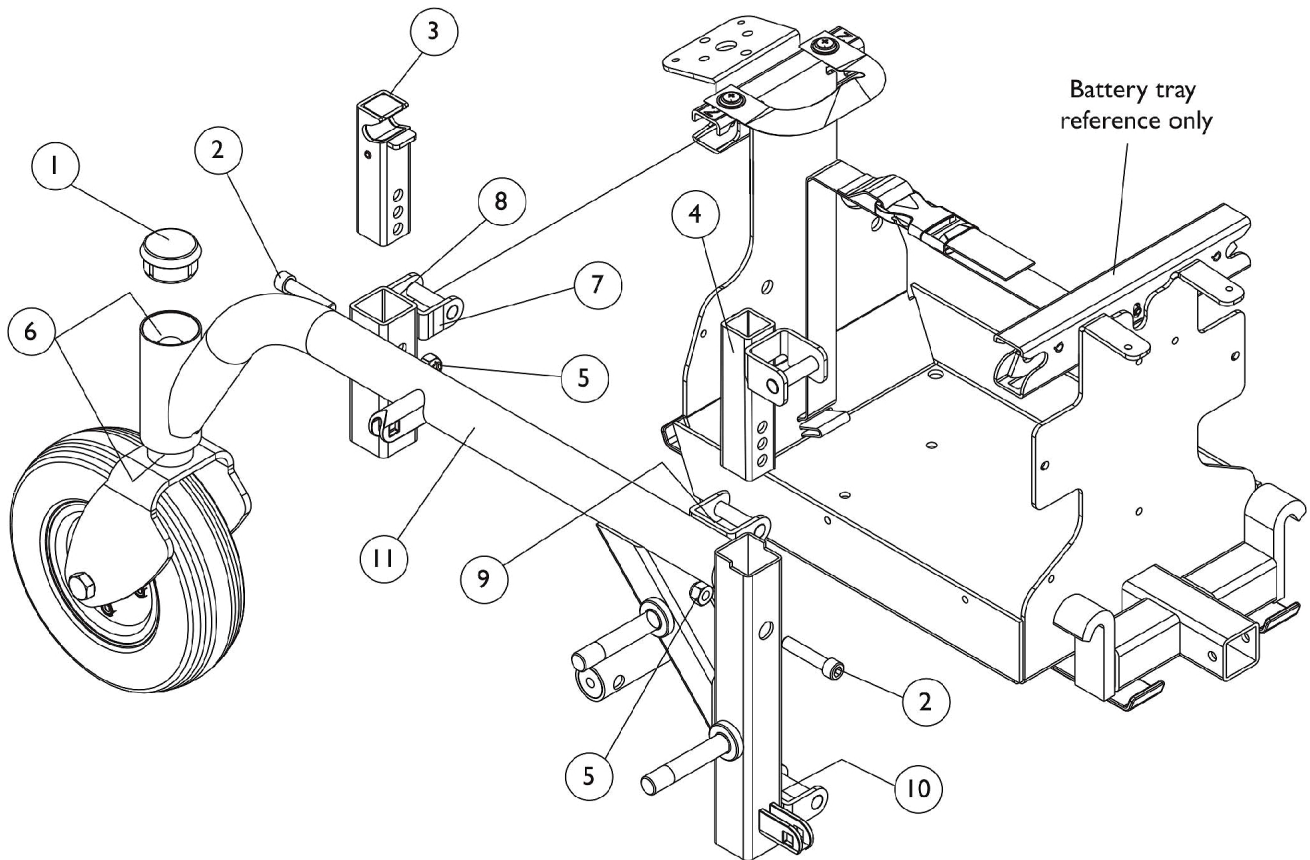


Side Frame and Hardware

Non Tilt Chairs



Side Frame and Hardware Non Tilt Chairs

Item Number	Note	Part Number	Description	Quantity Per	
				Package	Assembly
1		1105026	Plug Button, Head Tube, Black	1	1
2		1021344	Screw, Socket Head (5/16-18 x 1-1/2")	1	2
3		1123397-NLA	NLA - Slide Tube, Seat Height Adjustment -Rear	1	2
3	D	1152528-NLA	NLA - Slide Tube Assembly, Seat Height Adjustment, Rear	1	2
4		1123524-NLA	NLA - Tube, Slide, Seat Height Adjustment, Front	1	1
5		1026158	Locknut (5/16-18)	1	2
6		40117X006	Bearing (5/8")	1	2
7		1109198-NLA	NLA - Label, Yellow Stripe	1	2
8		1109200-NLA	NLA - Label Marker (2)	1	1
9		1109199-NLA	NLA - Label Marker (1)	1	1
10		1109201-NLA	NLA - Label Marker (3)	1	1
11	A	1109320-NLA	NLA - Side Frame Assembly - Right	1	1
11	A	1109321-NLA	NLA - Side Frame Assembly - Left	1	1
	B,C	1123398	Kit, Side Frame Hardware	1	1

NOTE: A - Includes items 6-10
 B - Includes items 1-5
 C - Not Shown
 D - When replacing a "Slide Tube, Seat Height Adjustment - Rear" part # 1123397 with the part # 1152528 both sides must be replaced simultaneously.