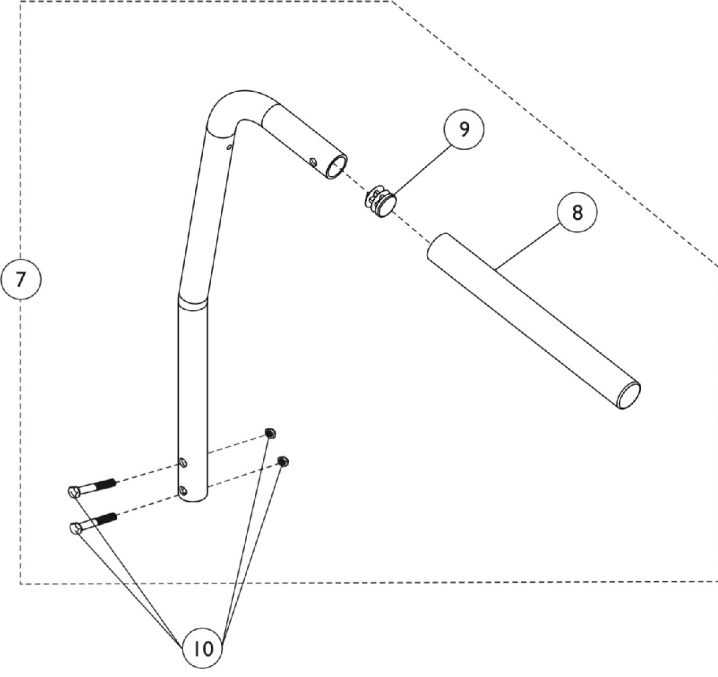
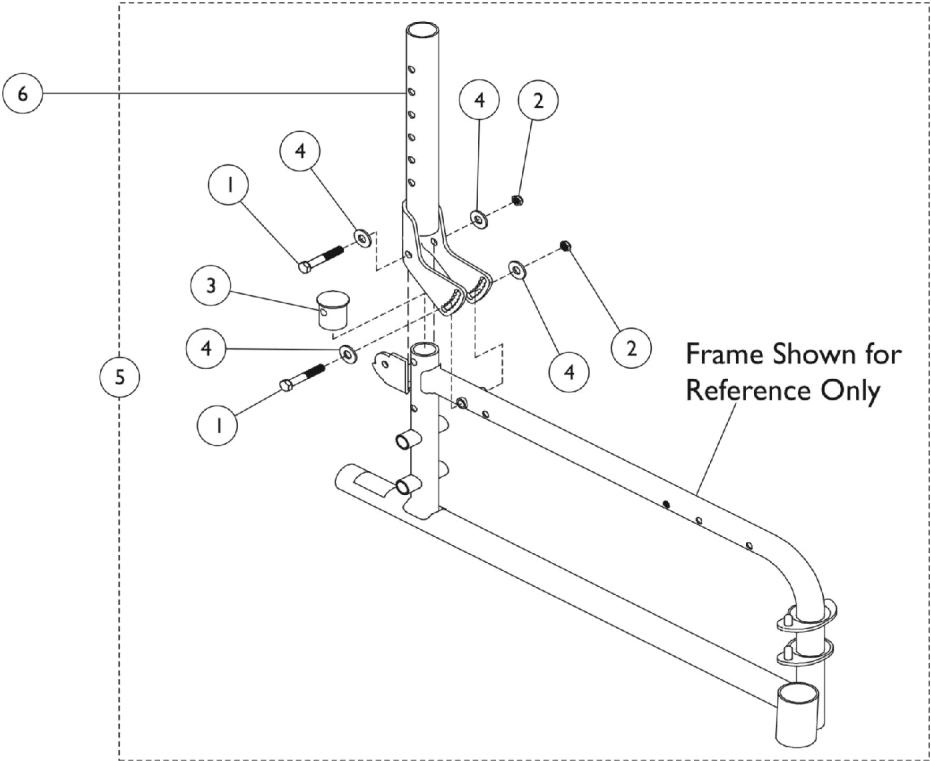


Standard Back Canes with Grip

9000SL with Adjustable Angle Back Option, 9000XT or 9000XDT



Standard Back Canes with Grip

9000SL with Adjustable Angle Back Option, 9000XT or 9000XDT

Item Number	Note	Part Number	Description	Quantity Per	
				Package	Assembly
1		1013046-NLA	NLA - Screw, Hex Head (1/4-20 x 1-3/4")	1	4
2		60275X000	Locknut (1/4-20)	1	6
3		1063137	Plug, End	1	2
4		16348X009-NLA	NLA - Washer, Steel (3/16 x 9/16 x 1/16")	1	8
5	A	1063912	Hardware, Adjustable Angle	1	1
6		1063913	Bracket, Adjustable Angle Back Tube, Chrome	1	1
6	E,F	8881063914-NL A	NLA - Bracket, Adjustable Angle Back Tube, Color	1	1
6	E,G	8881142648	Bracket, Adjustable Angle Back Tube, Color	1	1
6		1064771	Bracket, Adjustable Angle Back Tube, Black	1	1
7		See Chart	Standard Back Canes with Grip - 9000SL with Adjustable Angle Back Option or 9000XT	1	1
7		See Chart	Standard Back Canes with Grip and Hardware-9000XDT	1	1
8		1006229	Grip, Foam (8")	1	1
9	B	1027097	Plug Button, Black (3/4")	1	1
9	C	1027095	Plug Button, Black (7/8")	1	1
10	D	1142608	Hardware, Rear Cane Mounting	1	1
			Screw, Socket Button Head (1/4-20 x 1-1/4")	1	4
			Spacer (.125 x .375 x .257)	1	4
			Locknut (1/4-20)	1	4

NOTE: A - Includes items 1-4.
 B - To be used on 9000SL with Adjustable Angle Back Option and 9000XT.
 C - To be used on 9000XDT.
 D - Hardware includes (2) each 1/4-20 x 1-1/4" screws and (2) each 1/4-20 locknuts.
 E - Specify frame color when ordering, see category titled, "Frame Finishes, Upholstery Colors, Decals and Packaging."
 F - Before 3/6/06.
 G - After 3/5/06.

9000SL with Adjustable Angle Back Option or 9000XT

Cane Style	Wrap Around Upholstery	Screw On Upholstery
10 Degree Bend	1028372 See Note(s) A	1043373
10 Degree Bend	1142602 See Note(s) B	1043373
Straight	1142604	1047691

NOTE: A - Before 3/6/06.
 B - After 3/5/06.

Standard Back Canes with Grip and Hardware- 9000XDT

Cane Style	Wrap Around Upholstery	Screw On Upholstery
10 Degree Bend	1120661	1120657
Straight	1120659	1120656

Standard Back Canes with Grip

9000SL with Adjustable Angle Back Option, 9000XT or 9000XDT
