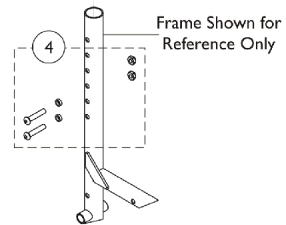
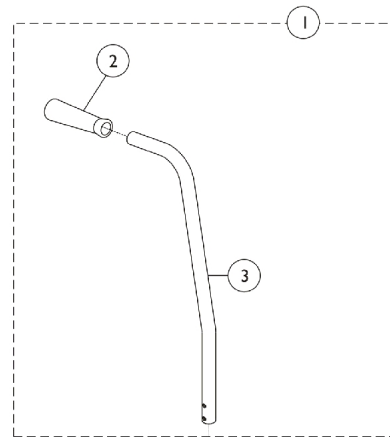
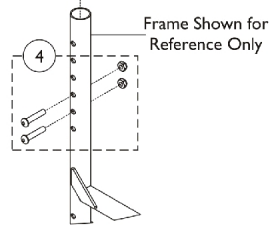
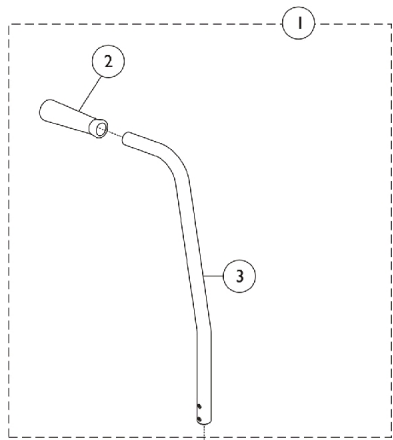


Extended Back Canes with Grip and Hardware

9000SL with Adjustable Angle Back Option and 9000XT



Extended Back Canes with Grip and Hardware 9000SL with Adjustable Angle Back Option and 9000XT

| Item Number | Note | Part Number | Description | Quantity Per | |
|---|------|-------------|--|--------------|----------|
| | | | | Package | Assembly |
| 1 | A | 1142612 | Cane Assembly, Extended with 10 Degree Bend and Grip - Black | 1 | 1 |
| 2 | | | Grip, Hand, Foam (4-3/4") | 1 | 1 |
| 3 | | | Cane, Back w/ 10 Degree Bend, Extended | 1 | 1 |
| 1 | B | 1065178 | NLA - Cane Assembly, Extended with 10 Degree Bend | 1 | 1 |
| 2 | | | Grip, Hand, Foam (4-3/4") | 1 | 1 |
| 3 | | | Cane, Back, Upright, Black | 1 | 1 |
| 1 | A | 1064523 | NLA - Cane Assembly, Extended, Straight | 1 | 1 |
| 2 | | | Grip, Hand, Foam (4-3/4") | 1 | 1 |
| 3 | | | Cane, Back, Straight, Black | 1 | 1 |
| 1 | B | 1064527 | NLA - Cane Assembly, Extended, Straight | 1 | 1 |
| 2 | | | Grip, Hand, Foam (4-3/4") | 1 | 1 |
| 3 | | | Cane, Back, Black | 1 | 1 |
| 4 | C,D | 1042623 | Hardware, Mounting | 1 | 1 |
| | | | Screw, Socket Button Head (1/4-20 x 1-1/4") | 1 | 4 |
| | | | Locknut (1/4-20) | 1 | 4 |
| 4 | C,E | 1142608 | Hardware, Rear Cane Mounting | 1 | 1 |
| | | | Screw, Socket Button Head (1/4-20 x 1-1/4") | 1 | 4 |
| | | | Spacer (.125 x .375 x .257) | 1 | 4 |
| | | | Locknut (1/4-20) | 1 | 4 |
| NOTE: A - For use with wrap around upholstery. B - For use with screw on upholstery. C - Hardware includes (4) each screws (1/4-20 x 1-1/4") and (4) each locknuts (1/4-20). D - Before 3/6/06. E - After 3/5/06. | | | | | |