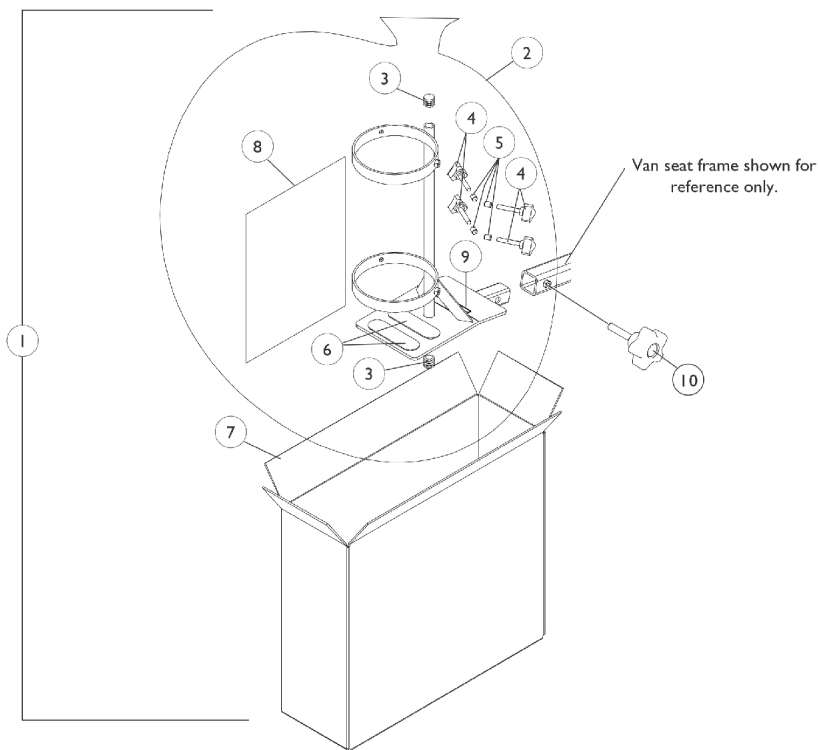


Oxygen Holder Assembly

Fold Down Medium Back Van Seat



Item Number	Note	Part Number	Description	Quantity Per	
				Package	Assembly
1	A	1091409	Oxygen Holder Assembly	1	1
2		2000454-NLA	NLA - Bag, Poly (39" L x 33" W)	1	1
3		1035614	Plug Button, Black (5/8")	1	2
4		1027684	Knob, Clamping, Black	1	4
5		1086780-NLA	NLA - Package, Protective Cap	10	4
6		1072004	Pad, Non-Skid Adhesive Back	1	2
7		1091304-NLA	NLA - Carton, Shipper	1	1
8		1091305-NLA	NLA - Instruction Sheet, Oxygen Holder	1	1
9		1080866	Decal, Oxygen Warning - English	1	1
9		1090093-NLA	NLA - Decal, Oxygen Warning - French Canadian	1	1
9		1092793-NLA	NLA - Decal, Oxygen Warning - Domestic Spanish	1	1
10	B	1114911-NLA	NLA - Knob, Adjustment, Black (5/16-18 x 1-1/2")	1	1

NOTE: A - Includes items 2-9.
 B - Tighten knob assembly comes standard on-chair for all models.