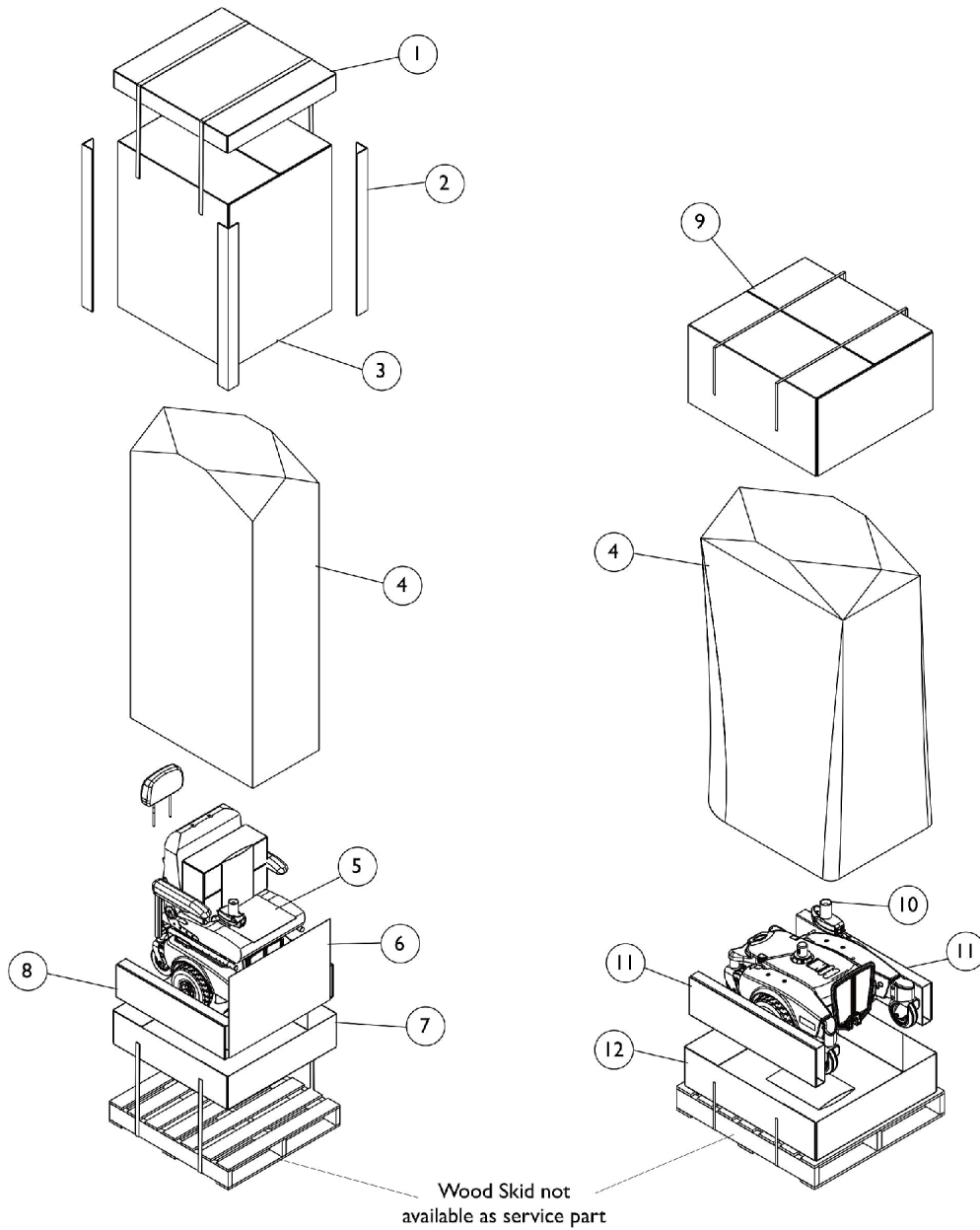


Packaging, Literature and Decals



Seat with Base Packaging

Base Only Packaging

Packaging, Literature and Decals

Item Number	Note	Part Number	Description	Quantity Per	
				Package	Assembly
1		1127752	Carton, Tray Top	1	1
2		1115174	Carton, Corner Reinforcement	1	4
3		1127753-NLA	NLA - Carton, Cover	1	1
4		1015592	Bag, Poly (72" L x 35" W x 19" D)	1	1
5		40131X161	Insert, Plain Pad	1	1
6		1127755-NLA	NLA - Carton, Pad	1	1
7	B	1127756-NLA	NLA - Carton, Tray	1	1
8		1127754-NLA	NLA - Carton, Insert	1	2
9		1127296-NLA	NLA - Carton, Cover Base	1	1
10		1043198-NLA	NLA - Tube, Paper	1	1
11		1127294-NLA	NLA - Insert, Carton	1	1
12		1127295-NLA	NLA - Tray, Carton	1	1
	A,C	1125085-NLA	NLA - Owner's Manual, Pronto M50/M51/M61	1	1
	A,C	1110532-NLA	NLA - Instruction Manual, MK5 NX/NX-LP	1	1
	A,C	1125093-NLA	NLA - Instruction Sheet, Battery Installation	1	1
	A	1110604-NLA	NLA - Decal, Shroud - M50	1	2
	A	1110605	Decal, Shroud - M51	1	2
	A	1127292-NLA	NLA - Decal, Shroud - M61	1	2
	A	1104797	Decal, Drive/Push	1	2
	A	1035900	Decal, Transportation	1	1
	A	1119281-NLA	NLA - Plate, Name, Patent Numbers	1	1
	A	1107651-NLA	NLA - Decal, Front Battery Cover	1	1
	A	1107652-NLA	NLA - Decal, Rear Battery Cover	1	1
	A	1148076-NLA	NLA - Owner's Manual, Pronto M51 Formula CG Tilt (CGT) Base	1	1

NOTE: A - Not Shown
 B - No longer available, use 1127752 as its replacement.
 C - Item is no longer available from the Invacare Service Parts Department. Refer to the Invacare Website under "Product Literature Search". Enter the part number in the "Keywords" field and download a free PDF version copy.

NOTE: When adjusting or replacing parts, please refer to your owner's manual for assistance.