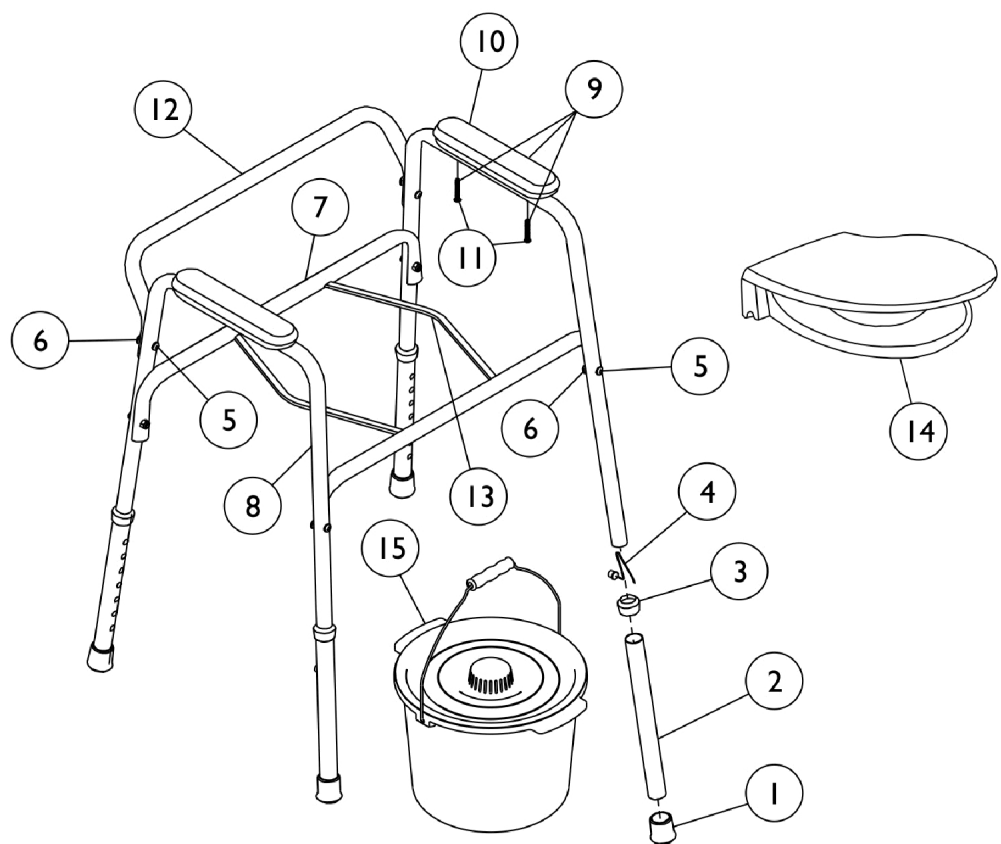


Stationary Commode w/ Back Tube - Models 9620-4, 9620-1

Model 9620-4, 4 Pk. (Coated) Discontinued 11/01

Model 9620-1 Discontinued 12/97



Stationary Commode w/ Back Tube - Models 9620-4, 9620-1

Item Number	Note	Part Number	Description	Quantity Per	
				Package	Assembly
1		40186X030	Tip, Rubber, Grey (1")	1	4
2		1062005-NLA	NLA - Tube, Leg Extension, White	1	4
3		1062021-NLA	NLA - Anti-Rattle, Grey (1")	1	4
4		1094945	Button, Snap	1	4
5		18858X000-NLA	NLA - Screw, Phillips Pan Head (1/4-20 x 1-1/2")	1	6
6		1008882	Locknut (1/4-20)	1	6
7		1062003-NLA	NLA - Rail, Seat, Coated	1	2
8		1062002-NLA	NLA - Tube, Arm with Holes, White	1	2
9	A	1066569-NLA	NLA - Kit, Arm Pad w/ Hardware (Pair)	1	2
10	A,E	1059660-NLA	NLA - Armrest, Full Length, Grey	2	1
	B,C	1132261-NLA	NLA - Kit, Armrest with Hardware, Full Length - Grey	1	1
10			NLA - Armrest, Full Length, Grey	1	2
11			NLA - Screw, Phillips Pan Head (1/4 x 1-1/4")	1	4
11		1061431-NLA	NLA - Screw, Phillips Pan Head (1/4 x 1-1/4")	1	4
12		1062004-NLA	NLA - Tube, Back, Coated	1	1
13		1019161-NLA	NLA - Holder, Pan/Pail	1	1
	B,D,G	1132262-NLA	NLA - Kit, Seat Ring with Pail and Holder	1	1
13			NLA - Holder, Pan/Pail	1	2
15			NLA - Pail with Lid and Handle, Grey	1	1
14			NLA - Seat, Ring	1	1
	B,H	1152023-NLA	NLA - Kit, Seat Ring with Pail and Holder	1	1
14		1062028-NLA	NLA - Seat w/ Lid, Snap On	1	1
14		1061998-NLA	NLA - Seat, Ring	1	1
15	F	1080083-NLA	NLA - Pail with Lid and Handle, Grey	1	1
15		1152022	Pail w/ Lid and Handle, Grey	1	1
15	B,G,J	1062023-NLA	NLA - Pail with Lid w/o Handle, Grey	1	1
15	I	1151955	Pail w/ Lid w/o Handle, Grey	1	1
15	B	6317	Package, Pail w/ Lid w/o Handle	12	1
	B	1062844-NLA	NLA - Bail, Handle for Pail	1	1
	B	13221X000	Square Lid w/ Hardware	1	1
	B	13211X000	Square Seat w/ Hardware	1	1

NOTE: A - Due to style change, it is Recommended that you order arm pads in pairs (1059660 item #10) after 9/3/99.
 B - Not Shown.
 C - Kit includes (2) Armrests Part #1059660 and (4) Screws Part #1061431.
 D - Kit includes items 13-15.
 E - Item no longer available, refer to Kit Part #1132261.
 F - Item no longer available, refer to part #1152022 for replacement.
 G - Before 8/16/07.
 H - Includes Pail, Seat Ring, and Holder.
 I - After 8/15/07.
 J - No longer available. Use 1151955 as the replacement part.