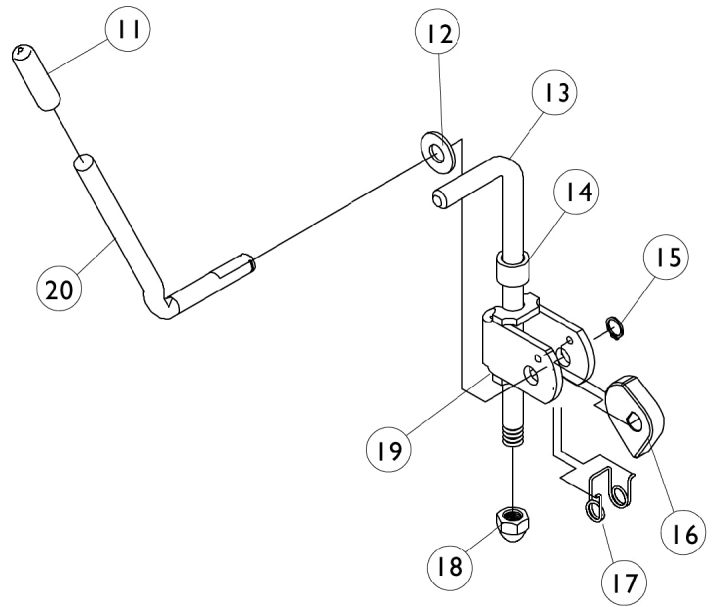
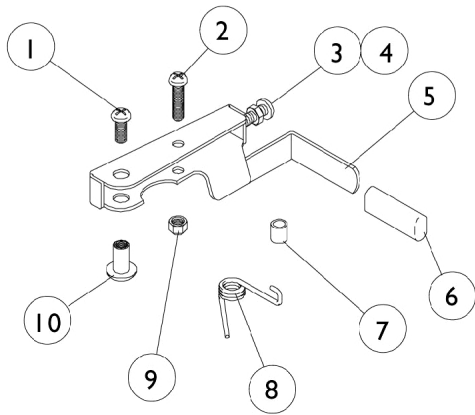


# Legrest Release Handles and Ratchets



## Legrest Release Handles and Ratchets

Item Number	Note	Part Number	Description	Quantity Per	
				Package	Assembly
1		7930328-NLA	NLA - Package, Screw, Phillips Pan Head (#10-32 x 11/16")	25	1
2		7930335-NLA	NLA - Package, Screw, Phillips Pan Head (#10-32 x 1/2")	25	1
3	A	1026107	Screw, Phillips Pan Head (#10-32 x 1-3/8")	1	1
4	A	1028485-NLA	NLA - Nut, Hex (#10-32)	1	1
5		1035539	Handle, Release, Black - Right	1	1
5		1035540	Handle, Release, Black - Left	1	1
6	A	1006490	Tip, Plastic, Black	1	1
7		47565X057	Bushing (7/32 x 3/8 x 11/32")	1	1
8		1028707	Spring, Release - Right	1	1
8		1028708	Spring, Release - Left	1	1
9		7930332-NLA	NLA - Locknut, High Profile (#10-32)	25	1
10		1028846-NLA	NLA - Rivnut (#10-32)	1	1
11		1040060	Tip, Plastic, Black	1	1
12		7930310-NLA	NLA - Washer, Nylon (5/16 x 11/16 x 1/16")	25	1
13	B	42326X004	Bar, Ratchet - Right/Left	1	1
13	C	1023811-NLA	NLA - Bar, Ratchet - Right	1	1
13	C	1023812-NLA	NLA - Bar, Ratchet - Left	1	1
14		47330X003	Spacer (5/16 x 1/2 x 3/8")	1	2
15		1040831	Ring, Snap	1	1
16		1037125	Cam, Legrest	1	1
17		1037485	Spring, Release	1	1
18		7930336-NLA	NLA - Nut, Acorn (5/16-24)	25	1
19		04528X002	Bracket, Release, Black	1	1
20		1037126	Handle, Release	1	1

NOTE: A - These items are only required on Release Handles for chairs built before 10/1/00.  
 B - 904 Legrest.  
 C - Articulating Legrest.