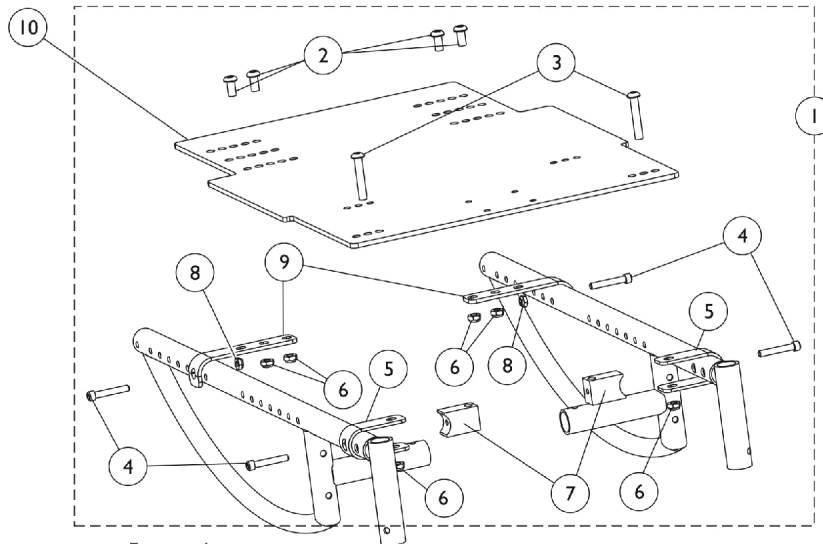


Seat Pans and Hardware

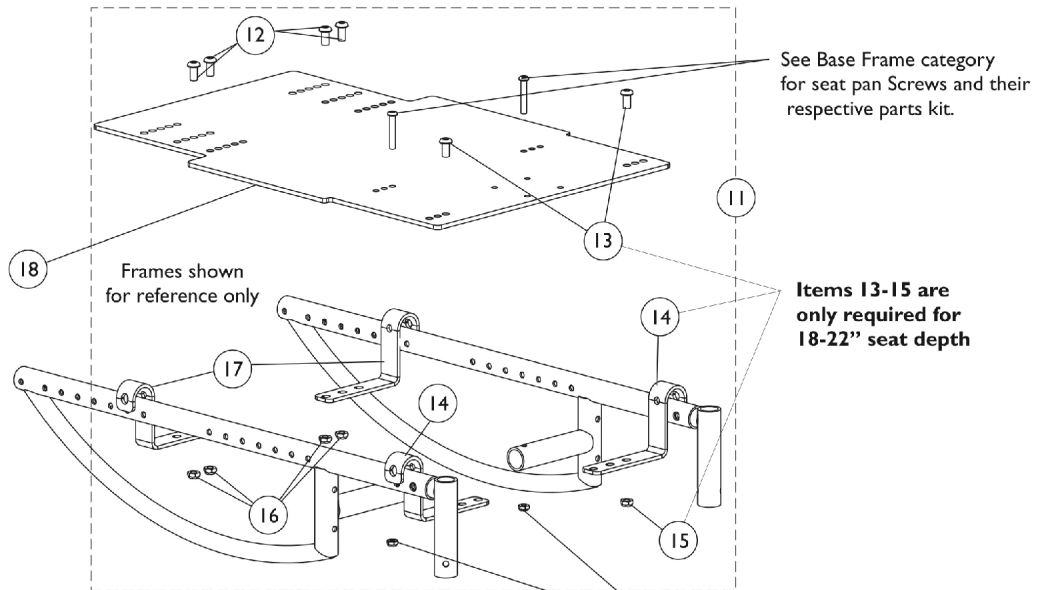
Image shown for Flush Mounted Seat Pan reflects the configuration for 15-22" deep chairs with HDPG. The flush mounted seat pan hardware kit provides enough parts for ALL flush mounted seat pan chairs.

Flush Mounted Seat Pan



Frames shown
for reference only

Drop Mounted Seat Pan



See Base Frame category
for seat pan Screws and their
respective parts kit.

Items 13-15 are
only required for
18-22" seat depth

See Base Frame category
for Locknuts and their
respective parts kit.

Seat Pans and Hardware

Item Number	Note	Part Number	Description	Quantity Per	
				Package	Assembly
1	A	1128823	NLA - Kit, Seat Pan Mounting Hardware - Flush Mounted Seat	1	1
2			Screw, Socket Button Head (5/16-24 x 5/8")	1	4
3			NLA - Screw, Socket Button Head (5/16-24 x 1-3/4")	1	2
4			NLA - Screw, Socket Head (1/4-28 x 1-1/2")	1	4
5			Bracket, Flush Seat Pan Mounting, Front, Black	1	2
6			Locknut (5/16-24)	1	6
7			NLA - Block, Seat Pan Mounting	1	2
8			Locknut (1/4-28)	1	2
9			NLA - Bracket, Flush Seat Pan Mounting, Rear, Black	1	2
2		1012962	Screw, Socket Button Head (5/16-24 x 5/8")	1	4
3		1093263-NLA	NLA - Screw, Socket Button Head (5/16-24 x 1-3/4")	1	2
5		1126296	Bracket, Flush Seat Pan Mounting, Front, Black	1	2
6		1025730	Locknut (5/16-24)	1	6
8		1025765	Locknut (1/4-28)	1	2
10		See Chart	#10 Flush Mounted Seat Pan (Aluminum)	1	1
11	B,C	1128824	Kit, Seat Pan Mounting Hardware - Drop Mounted Seat	1	1
12			Screw, Socket Button Head (5/16-24 x 5/8")	1	4
13			Screw, Socket Button Head (5/16-24 x 5/8")	1	2
14			NLA - Bracket, Drop Seat Pan Mounting, Black	1	2
15			Locknut (5/16-24)	1	2
16			Locknut (5/16-24)	1	4
17			NLA - Bracket, Drop Seat Pan Mounting, Black	1	2
18		See Chart	#18 Drop Mounted Seat Pan (Aluminum)	1	1

NOTE: A - Includes items 2 thru 9. Kit provides enough parts for ALL chair configurations with Flush Mounted Seat Pans.
 B - Includes items 12 thru 17. Kit provides enough parts for ALL chair configurations with Drop Mounted Seat Pans.
 C - Items 13 thru 15 are only required for chairs that are 18-22" deep

#10 Flush Mounted Seat Pan (Aluminum)

Flush Mounted Seat Pans mount on top of Seat Frame Rails.

Seat Pan Depth Range	For 12-14" Wide Seat Frame	For 14" Wide Seat Frame	For 15-17" Wide Seat Frame	For 18-20" Wide Seat Frame	For 21-22" Wide Seat Frame
12-16" Deep	1127800	N/A	1127801	1128282-NLA	N/A
15-19" Deep	1127803	N/A	1127804	1127805	1127806
18-22" Deep	N/A	1127795	1127796	1127797	1127798

#18 Drop Mounted Seat Pan (Aluminum)

Drop Mount Seat Pan has to lose 2" to fit so Pan fits the next highest Seat Frame Range.

Seat Pan Depth Range	For 12-13" Wide Seat Frame	For 14-16" Wide Seat Frame	For 17-19" Wide Seat Frame	For 20" Wide Seat Frame	For 20-22" Wide Seat Frame
12-16"	1127799	1127800	1127801	1128282-NLA	N/A
15-19"	1127802	1127803	1127804	N/A	1127805

Seat Pans and Hardware

#18 Drop Mounted Seat Pan (Aluminum)

Drop Mount Seat Pan has to lose 2" to fit so Pan fits the next highest Seat Frame Range.

Seat Pan Depth Range	For 12-13" Wide Seat Frame	For 14-16" Wide Seat Frame	For 17-19" Wide Seat Frame	For 20" Wide Seat Frame	For 20-22" Wide Seat Frame
18-22"	N/A	1127795	1127796	N/A	1127797