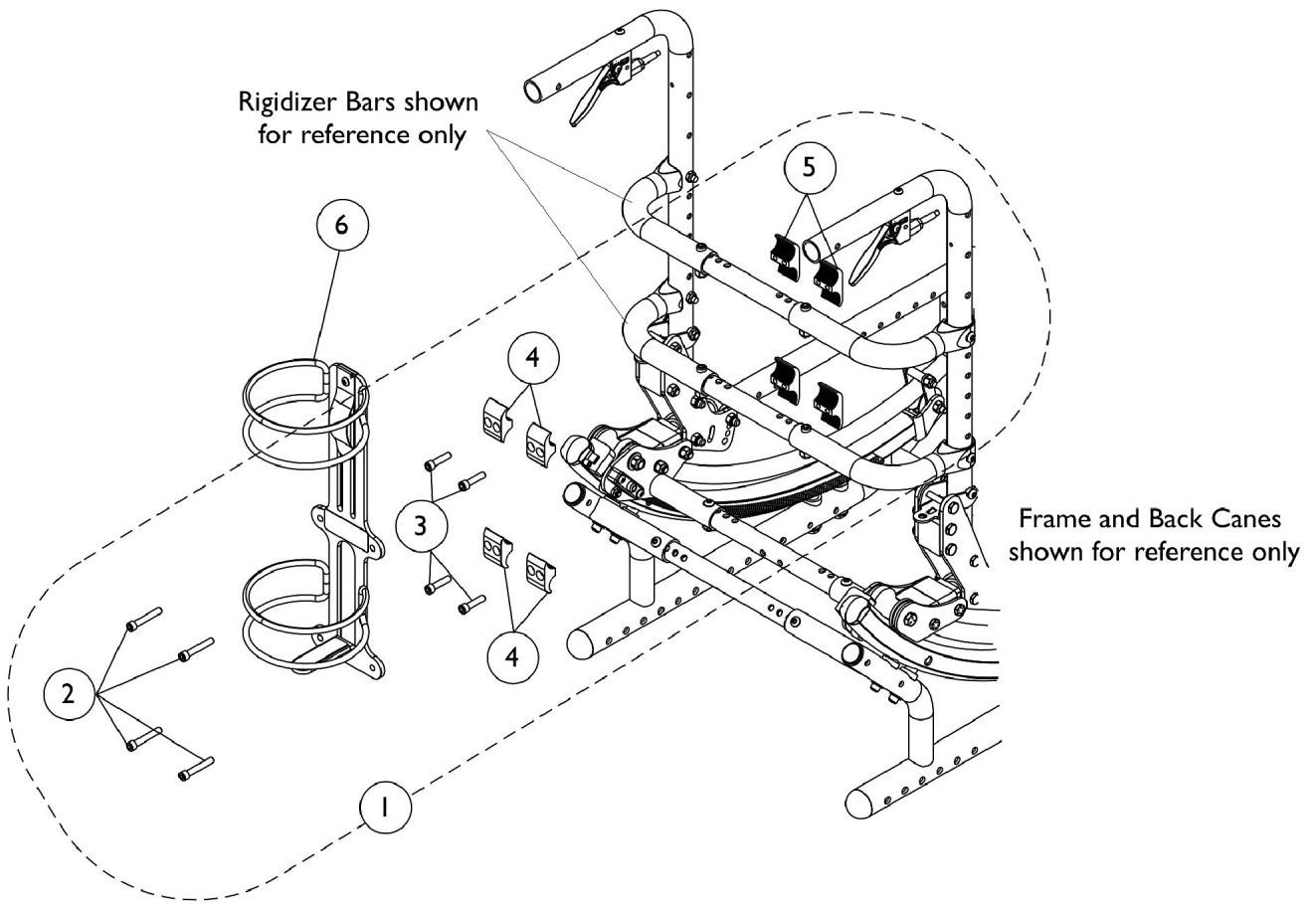


# Oxygen Holder

For chairs that do not currently have an O2 Holder, 2 Rigidizer Bars must be purchased as well so that the O2 Holder can be mounted properly. Please see the Rigidizer Bar category for part nos. and info.



# Oxygen Holder

For chairs that do not currently have an O2 Holder, 2 Rigidizing Bars must be purchased as well so that the O2 Holder can be mounted properly. Please see the Rigidizing Bar category for part nos. and info.

Item Number	Note	Part Number	Description	Quantity Per	
				Package	Assembly
1	A,C	1127696-NLA	NLA - Kit, Oxygen Holder Hardware	1	1
2			Screw, Socket Head (1/4-20 x 1-1/2")	1	4
3			Screw, Allen Head (1/4-20 x 1")	1	4
4			Clamp, Half, Non-Threaded	1	4
5			Clamp, Half, Threaded	1	4
6	B	1116948	Holder, Oxygen	1	1
NOTE: A - Includes items 2-5 B - "D" size tank only C - For chairs that do not currently have an Oxygen Holder, 2 Rigidizing Bars must be purchased as well so that the Oxygen Holder can be mounted properly. Please see the Rigidizing Bar category for part numbers and info.					