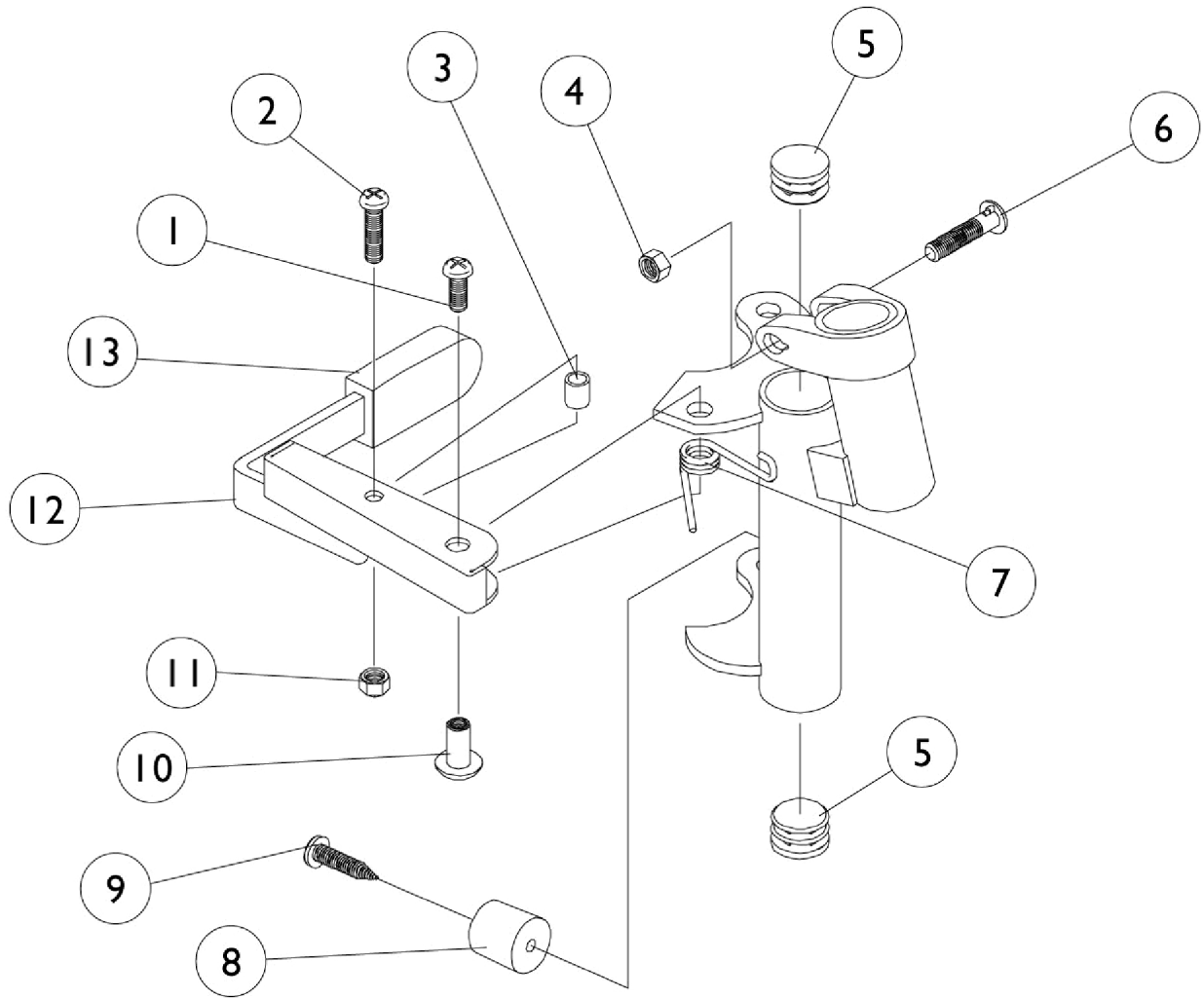


# P93M Footrest Supports

Color



## P93M Footrest Supports Color

Item Number	Note	Part Number	Description	Quantity Per	
				Package	Assembly
1		7930359-NLA	NLA - Package, Screw, Phillips Pan Head (#10-32 x 1/2")	25	1
2		7930360-NLA	NLA - Package, Screw, Phillips Pan Head (#10-32 x 11/16")	25	1
3		47565X057	Bushing (7/32 x 3/8 x 11/32")	1	1
4		1107321	Nut, Low Cap (5/16"-24)	1	1
5		1027095	Plug Button, Black (7/8")	2	1
6		11232X009	Bolt, Lug (5/16-24 x 1-3/8")	1	1
7		1008935	Spring, Release - Right	1	1
7		1008936	Spring, Release - Left	1	1
8		1022874	Bumper	1	1
9		1030979	Screw, Phillips Pan Head Tap (#10-32 x 3/4")	1	1
10		67005X000	Rivnut (#10-32)	1	1
11		7930365-NLA	NLA - Locknut (#10-32)	25	1
12		1035539	Handle, Release, Black - Right	1	1
12		1035540	Handle, Release, Black - Left	1	1
13	C	1006490	Tip, Plastic, Black	1	1
	A,B	8881037836-NL A	NLA - Footrest Support Assembly, Adult, Color - Right	1	1
	A,B	8881037837-NL A	NLA - Footrest Support Assembly, Adult, Color - Left	1	1

NOTE: A - Specify frame color when ordering. See page titled, "Frame Finishes, Touch-Up Paint and Upholstery Options."  
 B - Not Shown.  
 C - Before 10/1/00.