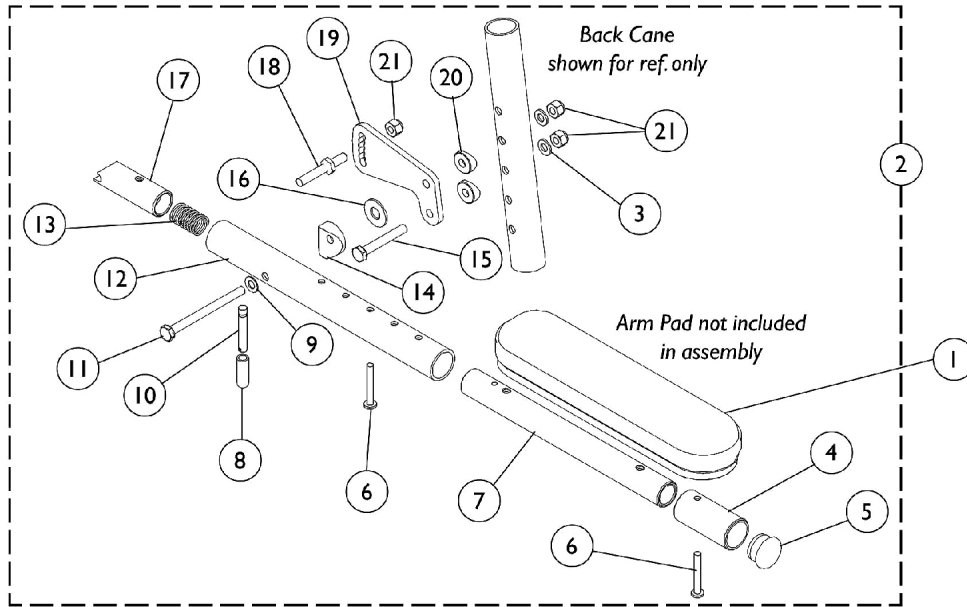


Cantilever Arms - AT55D & AT55F

Bolt On

Available on Spree GT chairs only



Bolt On Cantilever Arm without Arm Pads

Cantilever Arms - AT55D & AT55F

Bolt On

Available on Spree GT chairs only

| Item Number | Note | Part Number | Description | Quantity Per | |
|-------------|------|-------------|---|--------------|----------|
| | | | | Package | Assembly |
| 1 | A | 8881053578 | Kit, Arm Pad w/ Screws, Desk Length (9" L x 2" W) (Pair) | 2 | 1 |
| 1 | A | 8881053577 | Kit, Arm Pad w/ Screws, Full Length (14" L x 2" W) (Pair) | 2 | 1 |
| 2 | B,C | 1068654 | Kit, Cantilever Arm, Bolt On - Right | 1 | 1 |
| 2 | B,C | 1068655 | Kit, Cantilever Arm, Bolt On - Left | 1 | 1 |
| 3 | | 1026907 | Washer (1/4 x 1/2 x 1/16") | 1 | 2 |
| 4 | | 1042598 | Tube, Arm, Extension, Black | 1 | 1 |
| 5 | | 1056328 | Plug Button, Black (1") | 1 | 1 |
| 6 | | 1055205 | Package, Screw Phillips Pan Head (#10-32 x 1-3/8") | 2 | 1 |
| 7 | | 1068600 | Tube, Slide, Cantilever Arm, Black | 1 | 1 |
| 8 | | 1059271 | Tip, Plastic, Black | 1 | 1 |
| 9 | | 1026103 | Washer, Nylon (1/4 x 1/2 x 1/32") | 1 | 1 |
| 10 | | 1058545 | Lever, Actuator | 1 | 1 |
| 11 | | 1059374 | Screw, Hex Head (1/4-28 x 3") | 1 | 1 |
| 12 | | 1068588 | Tube, Arm, Black | 1 | 1 |
| 13 | | 1011511 | Spring, Compression (5/8 x 1 x 3/64") | 1 | 1 |
| 14 | | 40157X020 | Spacer, Coved (1/4 x 1 x 9/16") | 1 | 1 |
| 15 | | 1055348 | Screw, Hex Head (1/4-28 x 1-3/4") | 1 | 1 |
| 16 | | 1012371 | Washer, Nylon (3/8 x 7/8 x 1/16") | 1 | 1 |
| 17 | | 1058232 | Plug, Latch | 1 | 1 |
| 18 | | 1058231-NLA | NLA - Pin, Locking | 1 | 1 |
| 19 | | 1058542 | Bracket, Armrest Mounting, Black | 1 | 1 |
| 20 | | 1026099 | Spacer, Coved (1/4 x 11/16 x 1/2") | 1 | 2 |
| 21 | | 1065362 | Locknut (1/4-28) | 1 | 3 |

NOTE: A - Specify upholstery color U67 Black when ordering.
 B - Arms do not include Arm Pads, they must be ordered separately.
 C - Includes items 3-21