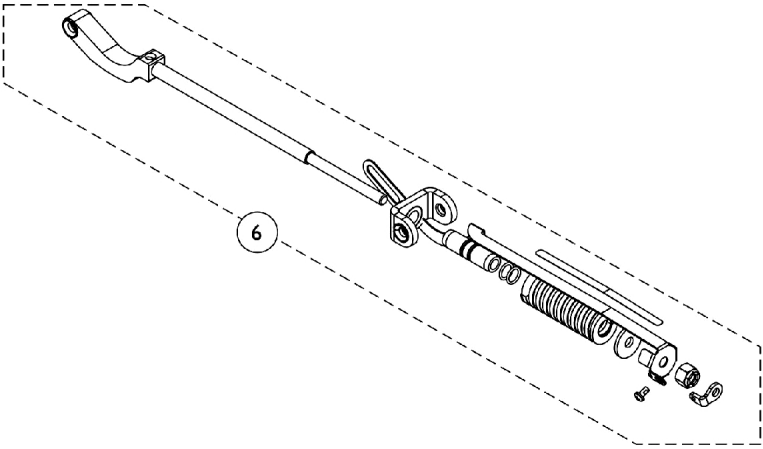
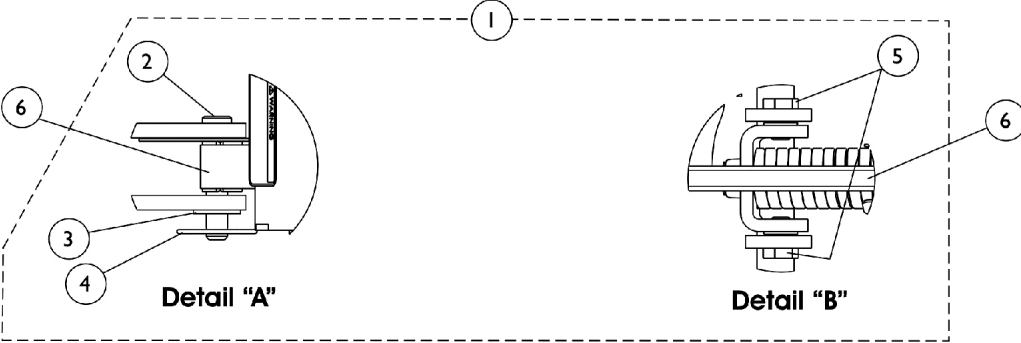
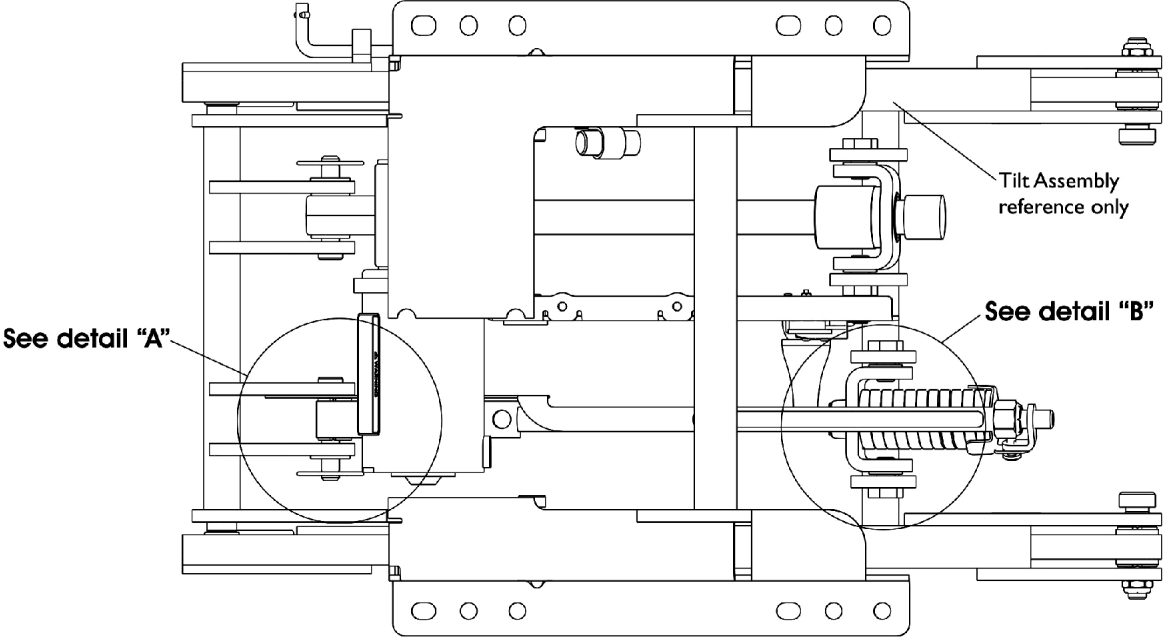


Assist Spring Assembly (For Pronto M91 & TDX Only)

For User Weights Of 276 Lbs. - 375 Lbs.



Assist Spring Assembly (For Pronto M91 & TDX Only)

For User Weights Of 276 Lbs. - 375 Lbs.

Item Number	Note	Part Number	Description	Quantity Per	
				Package	Assembly
1	A	1128391	NLA - Kit, Assist Spring Mounting Hardware	1	1
2			NLA - Pin, Clevis (3/8 x 2")	1	1
3			Washer, Flat (3/8")	1	1
4			NLA - Cotter, Locking Bow-Tie (1/4" Shaft)	1	1
5			NLA - Pin, Threaded Pivot	1	2
6	B	1126995-NLA	NLA - Assist Spring Assembly	1	1
NOTE: A - Includes items 2-5 B - Individual components are not available					