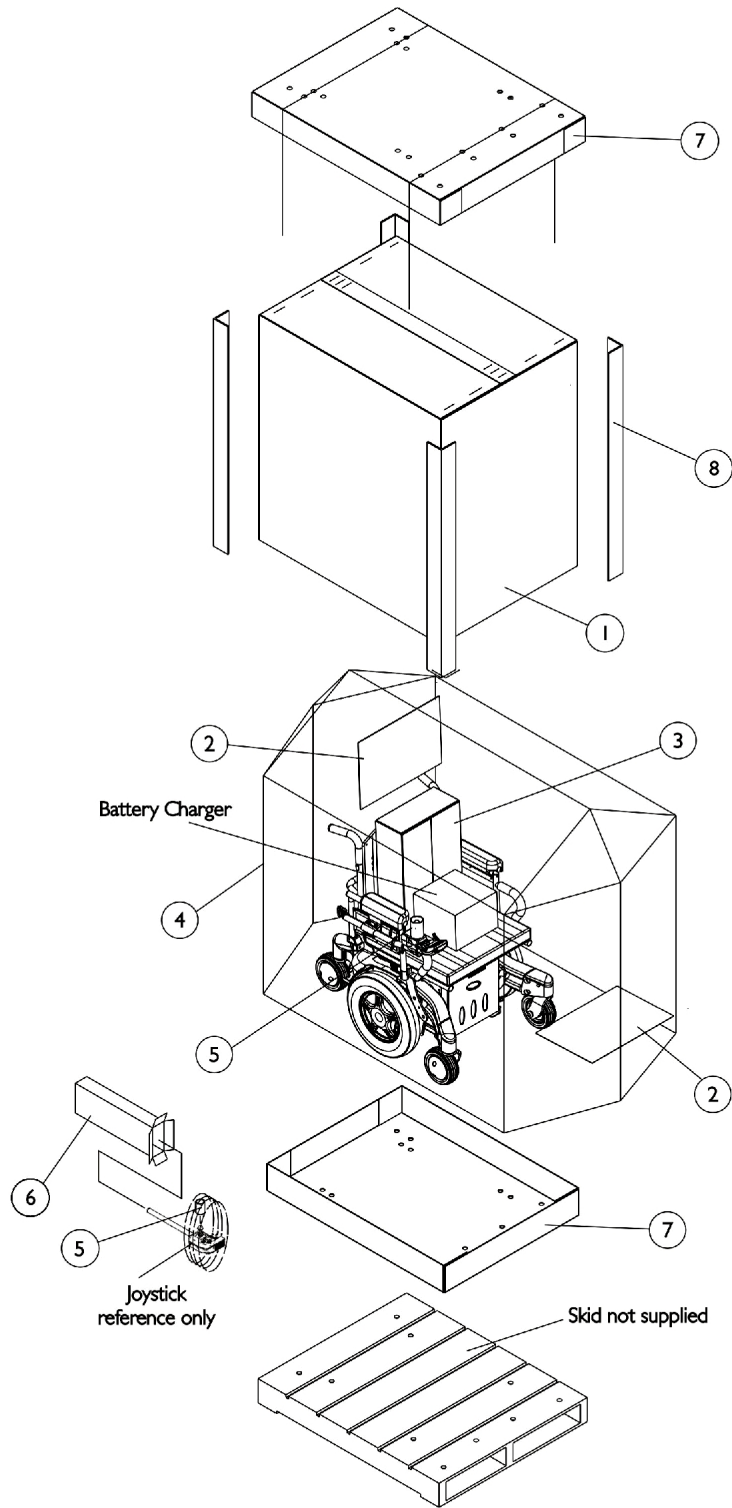


Packaging and Literature For TDX



Packaging and Literature For TDX

Item Number	Note	Part Number	Description	Quantity Per	
				Package	Assembly
1	A	1030364	Carton, Cover	1	1
1	B	1036028	Carton, Cover	1	1
2		40131X161	Insert, Plain Pad	1	2
3		40131X011-NLA	NLA - Carton, Front Riggings	1	1
4		1015592	Bag, Poly (72" L x 35" W x 19" D)	1	1
5		1043198-NLA	NLA - Tube, Paper	1	1
6	E	1012001-NLA	NLA - Carton, Joystick	1	1
7	A	1030362	Carton, Tray	1	2
7	B	1036027	Carton, Tray	1	2
8		1115174	Carton, Corner Reinforcement	1	4
	C	00077X031-NLA	NLA - Warranty Card	1	1
	C	1114809-NLA	NLA - Owner's Manual, TDX w/ MK5 Electronics	1	1
	C	See Chart	See Chart	1	1
	D	1164348	Mailer, Return, Mercury Free	1	1
<p>NOTE: A - 16" wide - 20" wide models B - 21" wide - 22" wide models C - Not Shown D - For Massachusetts providers only E - Order part #40131X011 to use as a replacement Joystick Carton also.</p> <p>When adjusting or replacing parts, please refer to your Owner's Manual for assistance.</p>					