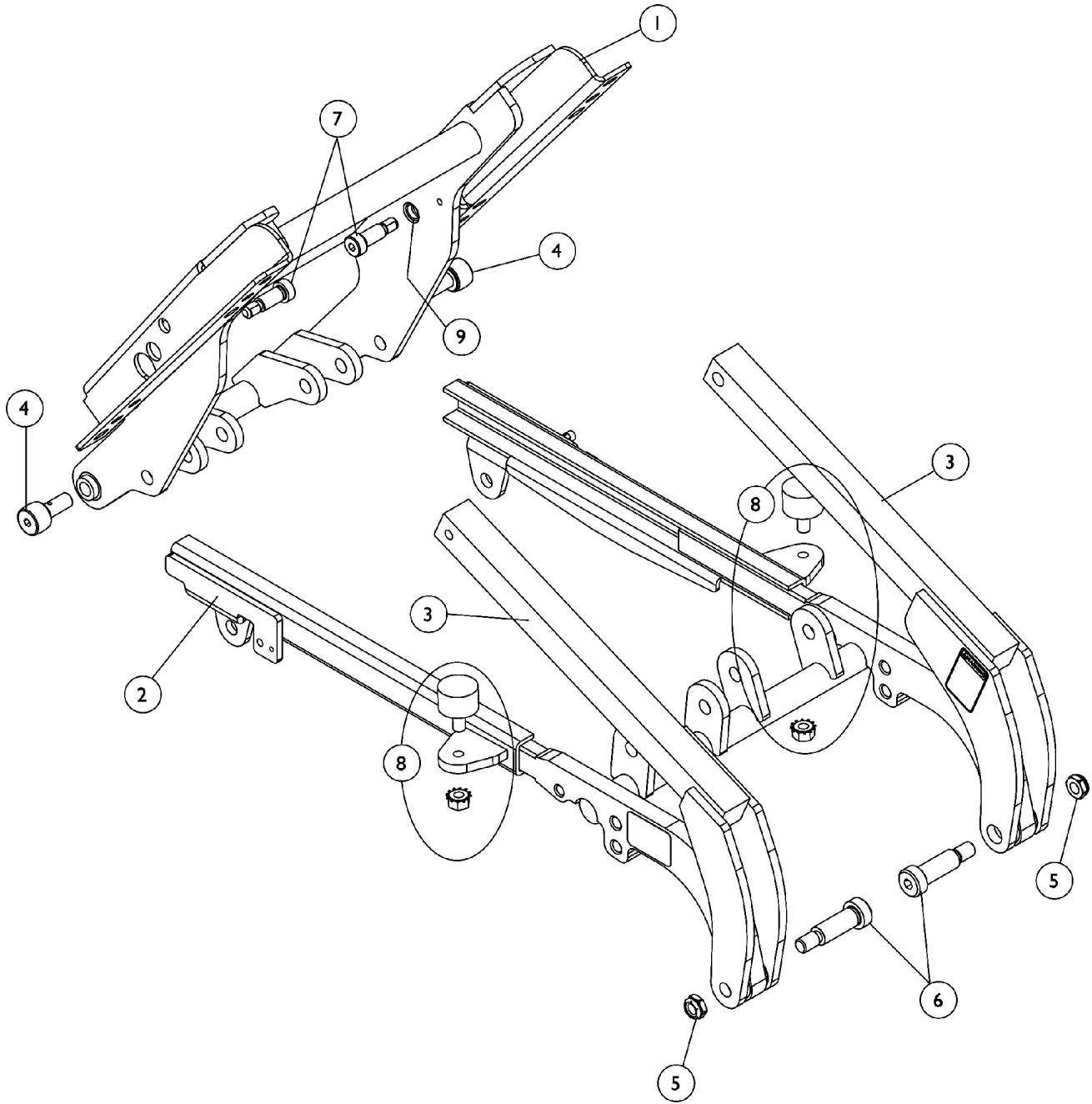


Tilt Assembly without Tilt Actuator Motor

For tilt actuator motor, see page titled "Tilt Actuator and Mounting Hardware"



Tilt Assembly without Tilt Actuator Motor

For tilt actuator motor, see page titled "Tilt Actuator and Mounting Hardware"

| Item Number | Note | Part Number | Description | Quantity Per | |
|-------------|------|-------------|--|--------------|----------|
| | | | | Package | Assembly |
| 1 | | 1124298 | Support, Seat Frame, Pivot Link | 1 | 1 |
| 2 | | 1124286 | Support, Stationary Link | 1 | 1 |
| 3 | | 1124290 | Front Pivot Assembly - Right | 1 | 1 |
| 3 | | 1124291 | Front Pivot Assembly - Left | 1 | 1 |
| 4 | | 1120175 | Roller, Cam | 1 | 2 |
| 5 | | 1028486 | Locknut, Low Profile (3/8-16) | 1 | 2 |
| 6 | | 1125379-NLA | NLA - Screw, Shoulder Hex Socket Head (1/2 x 1-1/4", 3/8-16) | 1 | 2 |
| 7 | | 1126163-NLA | NLA - Screw, Shoulder Hex Socket Head w/ Patch (3/8" x 3/4", 5/16-18) | 1 | 2 |
| 8 | | 1128384-NLA | NLA - Kit, Bumper Assembly Includes: 2 ea. Nut, Hex Keps (5/16-18) 2 ea. Bumper, Rubber | 2 | 1 |
| 9 | | 1106189-NLA | NLA - Bearing, Flange | 1 | 2 |