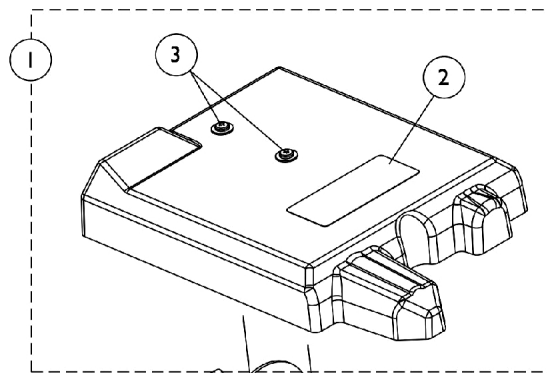


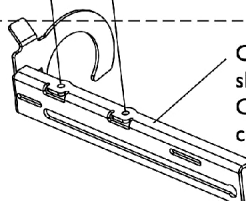
Tilt Actuator Motor, Motor Cover and Mounting Hardware



1

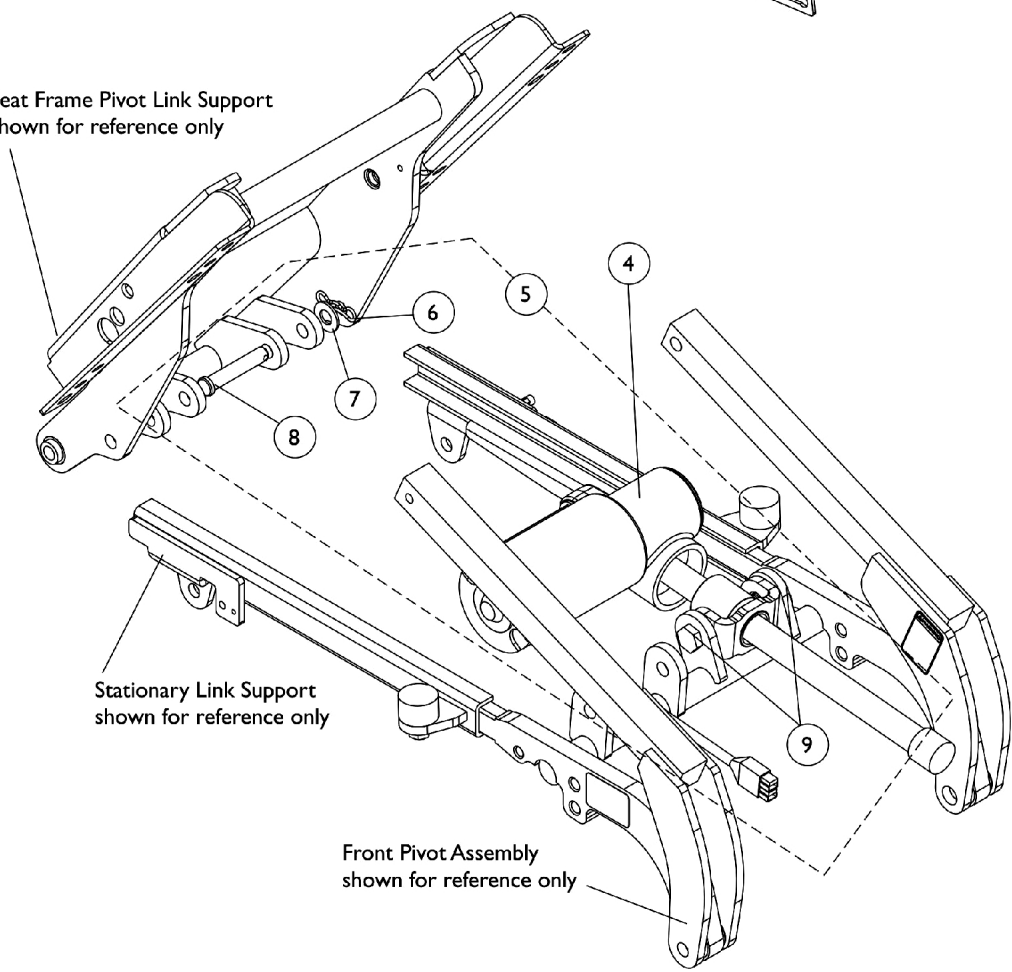
3

2



Cam Switch Cover Bracket
shown for reference only. See
Cam and Limit Switches
catalog page for this item.

Seat Frame Pivot Link Support
shown for reference only



5

4

6

8

7

Stationary Link Support
shown for reference only

9

Front Pivot Assembly
shown for reference only

Tilt Actuator Motor, Motor Cover and Mounting Hardware

Item Number	Note	Part Number	Description	Quantity Per	
				Package	Assembly
1	A	1126579-NLA	NLA - Kit, Tilt Actuator Motor Cover Assembly	1	1
2			NLA - Decal, Warning	1	1
3			Screw, Phillips Pan Head Tap (#10-32 x 1/2")	1	2
4		1126578	Tilt Actuator Motor Assembly	1	1
5	B	1128383-NLA	NLA - Kit, Tilt Actuator Motor Assembly Mounting Hardware	1	1
6			NLA - Cotter, Locking Bow-Tie (1/4" Shaft)	1	1
7			Washer, Flat (3/8")	1	1
8			NLA - Pin, Clevis (3/8 x 2")	1	1
9			NLA - Pin, Threaded Pivot	1	2

NOTE: A - Includes Motor cover and items 2-3
 B - Includes items 6-9